

# CONTRACT

FA96 (Form 650019)  
05-13

# COPY

Letting Date: December 15, 2015 Contract ID: 77-0803-198  
County: POLK Project Engineer: GRIMES RCE  
Cost Center: 601000 Object Code: 890  
Contract Work Type: BRIDGE & APPROACH-STEEL GIRDER

Bid Order No.: 019

DBE Commitment: \$407,527.00

001  
002  
003  
004  
005  
006  
007  
008  
009  
010  
011  
012  
013  
014  
015  
016  
017  
018  
019  
020  
021  
022  
023  
024  
025  
026  
027  
028  
029  
030  
031  
032  
033  
034  
035  
036  
037  
038  
039  
040  
041  
042  
043  
044  
045  
046  
047  
048  
049  
050  
051  
052  
053  
054  
055  
056  
057  
058  
059  
060  
061  
062  
063  
064  
065  
066  
067  
068  
069  
070  
071  
072  
073  
074  
075  
076  
077  
078  
079  
080  
081  
082  
083  
084  
085  
086  
087  
088  
089  
090  
091  
092  
093  
094  
095  
096  
097  
098  
099  
100

This agreement made and entered by and between the IOWA DEPARTMENT OF TRANSPORTATION,  
CONTRACTING AUTHORITY, AND  
JENSEN CONSTRUCTION CO. OF DES MOINES, IA, (JE200), CONTRACTOR

It is agreed that the notice and instructions to bidders, the proposal filed by the Contractor, the specifications, the plan, if any, for project(s) listed below, together with Contractor's performance bond, are made a part hereof and together with this instrument constitute the contract. This contract contains all of the terms and conditions agreed upon by the parties hereto. A true copy of said plan is now on file in the office of the Contracting Authority under date of 12/10/2015.

-----  
PROJECT: NHS-080-3(198)128--11-77 COUNTY: POLK  
WORK TYPE: BRIDGE & APPROACH-STEEL GIRDER ACCOUNTING ID: 33001  
ROUTE: I-80 LENGTH (MILES): 0.21  
LOCATION: IN THE CITY OF URBANDALE, 100TH ST: 100TH ST. AT I-35/I-80  
FEDERAL AID - PREDETERMINED WAGES ARE IN EFFECT  
PROJECT AMOUNT: \$8,159,067.85  
-----

-----  
PROJECT: IN-080-3(207)128--15-77 COUNTY: POLK  
WORK TYPE: RCB CULVERT EXT - TWIN BOX ACCOUNTING ID: 33002  
ROUTE: I-80 LENGTH (MILES): 0  
LOCATION: IN THE CITY OF URBANDALE, ON 100TH ST, CULVERT EXTENSIONS AS  
SOCIAATED WITH NEW I-80 INTERCHANGE  
NON-FEDERAL AID - PREDETERMINED WAGES ARE IN EFFECT  
PROJECT AMOUNT: \$1,010,067.60  
-----

The specifications consist of the Standard Specifications for Highway and Bridge Construction, Series 2015 of the Iowa Department of Transportation plus the following Supplemental Specifications, Special Provisions, and addendums: DS-15033, FHWA-1273.05, GS-15001, IA15-1.1B, SP-150021, SP-150022, SP-150023, ADDENDUMS: 15DEC019.A01, 15DEC019.A02, 15DEC019.A03, 15DEC019.A04, 15DEC019.A05

Contractor, for and in considerations of \$9,169,135.45 payable as set forth in the specifications constituting a part of this contract, agrees to construct various items of work and/or provide various materials or supplies in accordance with the plans and specifications therefore, and in the locations designated in the Notice to Bidders.

Contractor certifies by signature on this contract, under pain of penalties for false certification, that the Contractor has complied with Iowa Code Section 452A.17(8) as amended, if applicable, and Iowa Code Section 91C.5 (Public Registration Number), if applicable.

In consideration of the foregoing, Contracting authority hereby agrees to pay the Contractor promptly and according to the requirements of the specifications the amounts set forth, subject to the conditions as set forth in the specifications.

It is further understood and agreed that the above work shall also be commenced or completed in accordance with Page 1B of this Contract and assigned Proposal Notes.

To accomplish the purpose herein expressed, the Contracting authority and Contractor have signed this and one other identical instrument.

For Federal-Aid contracts the Contractor certifies that each subcontract is evidenced in writing and that it contains all pertinent provisions and requirements of the contract.

By [Signature]  
Contractor

Contractor (if joint venture)

By [Signature]  
Contracting Authority

**JAN 13 2016**  
Contract Award Date

Iowa DOT Concurrence

For Local Agency Contracts

Concurrence Date

Letting Date: December 15, 2015 Contract ID: 77-0803-198

Bid Order No. : 019

It is further understood and agreed that the above work shall be commenced or completed in accordance with the following schedule:

SITE NUMBER	CONTRACT PERIOD /SITE DESCRIPTION	LIQUIDATED DAMAGES
	CONTRACT LATE START DATE 04/04/2016 140 WORKING DAYS	\$2,500.00

CONTRACT NOTES

---

CONTRACT SCHEDULE OF PRICES

\*\*\*\*\*

Vendor No.: JE200 Bid Order No.: 019  
 Contract ID No.: 77-0803-198 Letting Date: December 15, 2015  
 Primary Work Type: BRIDGE AND APPROACHES - STEEL GIRDER 10:00 A.M.  
 Primary County: POLK

Line No	Item Number	Item Description	Quantity and Unit	Unit Price Dollars   Cts	Bid Amount Dollars   Cts
SECTION 0001 ROADWAY ITEMS					
NHS-080-3(198)128--11-77					
0010	2101-0850001	CLEARING AND GRUBBING	6.100 ACRE	8,000.00000	48,800.00
0020	2102-0425070	SPECIAL BACKFILL	232.800 TON	40.00000	9,312.00
0030	2102-2625001	EMBANKMENT-IN-PLACE, CONTRACTOR FURNISHED	105,386.000 CY	11.60000	1,222,477.60
0040	2102-2710070	EXCAVATION, CLASS 10, ROADWAY AND BORROW	15,137.000 CY	2.45000	37,085.65
0050	2105-8425015	TOPSOIL, STRIP, SALVAGE AND SPREAD	8,760.000 CY	4.20000	36,792.00
0060	2107-0875100	COMPACTION WITH MOISTURE CONTROL	110,713.000 CY	0.40000	44,285.20
0070	2122-5190125	PAVED SHOULDER, P.C. CONCRETE, 12.5 IN.	336.400 SY	155.00000	52,142.00
0080	2122-5191005	REINFORCED PAVED SHOULDER FOR CONCRETE BARRIER	402.700 SY	125.00000	50,337.50
0090	2123-7450000	SHOULDER CONSTRUCTION, EARTH	1.400 STA	900.00000	1,260.00
0100	2123-7450020	SHOULDER FINISHING, EARTH	36.600 STA	825.00000	30,195.00

CONTRACT SCHEDULE OF PRICES

\*\*\*\*\*

Vendor No.: JE200 Bid Order No.: 019  
 Contract ID No.: 77-0803-198 Letting Date: December 15, 2015  
 Primary Work Type: BRIDGE AND APPROACHES - STEEL GIRDER 10:00 A.M.  
 Primary County: POLK

Line No	Item Number Item Description	Item Quantity and Unit	Unit Price		Bid Amount	
			Dollars	Cts	Dollars	Cts
0110	2301-1033085 STANDARD OR SLIP FORM PORTLAND CEMENT CONCRETE PAVEMENT, CLASS C, CLASS 3 DURABILITY, 8.5 IN.	9,267.500 SY	60.00000		556,050.00	
0120	2301-4874500 MEDIAN, P.C. CONCRETE, AS PER PLAN	161.800 SY	175.00000		28,315.00	
0130	2301-4875006 MEDIAN, P.C. CONCRETE, 6 IN.	244.700 SY	70.00000		17,129.00	
0140	2301-6911722 PORTLAND CEMENT CONCRETE PAVEMENT SAMPLES	LUMP	LUMP		4,000.00	
0150	2401-6745355 REMOVAL OF CONCRETE FOOTINGS OF HIGHWAY SIGNS	7.000 EACH	1,200.00000		8,400.00	
0160	2401-6745650 REMOVAL OF EXISTING STRUCTURES	LUMP	LUMP		5,500.00	
0170	2402-0425031 GRANULAR BACKFILL	175.000 TON	45.00000		7,875.00	
0180	2412-0000100 LONGITUDINAL GROOVING IN CONCRETE	4,694.100 SY	1.70000		7,979.97	
0190	2416-0100024 APRONS, CONCRETE, 24 IN. DIA.	1.000 EACH	900.00000		900.00	
0200	2435-0140148 MANHOLE, STORM SEWER, SW-401, 48 IN.	1.000 EACH	4,500.00000		4,500.00	
0210	2435-0140400 MANHOLE, STORM SEWER, SW-404	2.000 EACH	12,000.00000		24,000.00	

CONTRACT SCHEDULE OF PRICES

\*\*\*\*\*

Vendor No.: JE200 Bid Order No.: 019  
 Contract ID No.: 77-0803-198 Letting Date: December 15, 2015  
 Primary Work Type: BRIDGE AND APPROACHES - STEEL GIRDER 10:00 A.M.  
 Primary County: POLK

Line No	Item Number Item Description	Item Quantity and Unit	Unit Price		Bid Amount	
			Dollars	Cts	Dollars	Cts
0220	2435-0250100 INTAKE, SW-501	1.000 EACH	3,100.00000		3,100.00	
0230	2435-0250300 INTAKE, SW-503	1.000 EACH	4,500.00000		4,500.00	
0240	2435-0250500 INTAKE, SW-505	1.000 EACH	4,500.00000		4,500.00	
0250	2435-0250600 INTAKE, SW-506	1.000 EACH	10,500.00000		10,500.00	
0260	2435-0250700 INTAKE, SW-507	6.000 EACH	4,500.00000		27,000.00	
0270	2435-0250900 INTAKE, SW-509	3.000 EACH	6,000.00000		18,000.00	
0280	2435-0254710 BARRIER INTAKE, SW-547 MODIFIED	1.000 EACH	22,000.00000		22,000.00	
0290	2435-0600020 MANHOLE ADJUSTMENT, MAJOR	2.000 EACH	5,000.00000		10,000.00	
0300	2499-0926010 CRUSHED BRICK	22.000 TON	150.00000		3,300.00	
0310	2503-0114215 STORM SEWER GRAVITY MAIN, TRENCHED, REINFORCED CONCRETE PIPE (RCP), 2000D (CLASS III), 15 IN.	1,220.000 LF	60.00000		73,200.00	

CONTRACT SCHEDULE OF PRICES

\*\*\*\*\*

Vendor No.: JE200 Bid Order No.: 019  
 Contract ID No.: 77-0803-198 Letting Date: December 15, 2015  
 Primary Work Type: BRIDGE AND APPROACHES - STEEL GIRDER 10:00 A.M.  
 Primary County: POLK

Line No	Item Number Item Description	Item Quantity and Unit	Unit Price		Bid Amount	
			Dollars	Cts	Dollars	Cts
0320	2503-0114224 STORM SEWER GRAVITY MAIN, TRENCHED, REINFORCED CONCRETE PIPE (RCP), 2000D (CLASS III), 24 IN.	195.000 LF	75.00000		14,625.00	
0330	2503-0114236 STORM SEWER GRAVITY MAIN, TRENCHED, REINFORCED CONCRETE PIPE (RCP), 2000D (CLASS III), 36 IN.	291.000 LF	80.00000		23,280.00	
0340	2503-0200036 REMOVE STORM SEWER PIPE LESS THAN OR EQUAL TO 36 IN.	493.000 LF	22.00000		10,846.00	
0350	2505-4008120 REMOVAL OF STEEL BEAM GUARDRAIL	390.000 LF	6.00000		2,340.00	
0360	2507-3250005 ENGINEERING FABRIC	8.900 SY	35.00000		311.50	
0370	2507-8029000 EROSION STONE	5.900 TON	95.00000		560.50	
0380	2510-6745850 REMOVAL OF PAVEMENT	6,090.000 SY	7.00000		42,630.00	
0390	2510-6750600 REMOVAL OF INTAKES AND UTILITY ACCESSES	5.000 EACH	1,000.00000		5,000.00	
0400	2511-0302500 RECREATIONAL TRAIL, PORTLAND CEMENT CONCRETE, 5 IN.	1,002.000 SY	35.00000		35,070.00	
0410	2511-0310100 SPECIAL COMPACTION OF SUBGRADE FOR RECREATIONAL TRAIL	9.650 STA	240.00000		2,316.00	

CONTRACT SCHEDULE OF PRICES

\*\*\*\*\*

Vendor No.: JE200 Bid Order No.: 019  
 Contract ID No.: 77-0803-198 Letting Date: December 15, 2015  
 Primary Work Type: BRIDGE AND APPROACHES - STEEL GIRDER 10:00 A.M.  
 Primary County: POLK

Line No	Item Number Item Description	Item Quantity and Unit	Unit Price		Bid Amount	
			Dollars	Cts	Dollars	Cts
0420	2511-7526004 SIDEWALK, P.  C. CONCRETE, 4 IN.	223.400  SY	37.00000		8,265.80	
0430	2511-7526006 SIDEWALK, P.  C. CONCRETE, 6 IN.	223.500  SY	50.00000		11,175.00	
0440	2511-7528101 DETECTABLE  WARNINGS	205.800  SF	45.00000		9,261.00	
0450	2513-0001011 CONCRETE  BARRIER, BA-101	2.000  EACH	1,750.00000		3,500.00	
0460	2513-0001020 CONCRETE  BARRIER, BA-102	160.000  LF	130.00000		20,800.00	
0470	2513-0001081 CONCRETE  BARRIER, TAPERED END,  BA-108	4.000  EACH	2,000.00000		8,000.00	
0480	2513-0474990 CONCRETE  BARRIER, REINFORCED, AS  PER PLAN , 54 IN.	262.000  LF	160.00000		41,920.00	
0490	2513-0475000 CONCRETE  BARRIER TRANSITION  SECTION	4.000  EACH	1,750.00000		7,000.00	
0500	2518-6910000 SAFETY  CLOSURE	7.000  EACH	50.00000		350.00	
0510	2520-3350010 FIELD  LABORATORY	1.000  EACH	10,000.00000		10,000.00	
0520	2524-6765010 REMOVE AND  REINSTALL SIGN AS PER  PLAN	5.000  EACH	300.00000		1,500.00	

CONTRACT SCHEDULE OF PRICES

\*\*\*\*\*

Vendor No.: JE200 Bid Order No.: 019  
 Contract ID No.: 77-0803-198 Letting Date: December 15, 2015  
 Primary Work Type: BRIDGE AND APPROACHES - STEEL GIRDER 10:00 A.M.  
 Primary County: POLK

Line No	Item Number Item Description	Item Quantity and Unit	Unit Price		Bid Amount	
			Dollars	Cts	Dollars	Cts
0530	2524-6765210 REMOVAL OF TYPE A SIGN ASSEMBLY	12.000 EACH	75.000000		900.00	
0540	2524-9081275 CONCRETE FOOTING FOR BREAKAWAY SIGN POST, 2'-8" DIA. X 7'-6"	2.000 EACH	1,600.000000		3,200.00	
0550	2524-9081290 CONCRETE FOOTING FOR BREAKAWAY SIGN POST, 2'-8" DIA. X 9'-0"	3.000 EACH	30.000000		90.00	
0560	2524-9276010 PERFORATED SQUARE STEEL TUBE POSTS	25.000 LF	200.000000		5,000.00	
0570	2524-9276021 PERFORATED SQUARE STEEL TUBE POST ANCHOR, BREAK-AWAY SOIL INSTALLATION	2.000 EACH	60.000000		120.00	
0580	2524-9281210 STEEL BREAKAWAY SIGN POSTS FOR TYPE A OR B SIGNS, W 8 X 21	30.800 LF	70.000000		2,156.00	
0590	2524-9281426 STEEL BREAKAWAY SIGN POSTS FOR TYPE A OR B SIGNS, W 12 X 26	47.800 LF	0.000000		0.00	
0600	2525-0000100 TRAFFIC SIGNALIZATION	LUMP	LUMP		88,000.00	
0610	2526-8285000 CONSTRUCTION SURVEY	LUMP	LUMP		15,000.00	
0620	2527-9263109 PAINTED PAVEMENT MARKING, WATERBORNE OR SOLVENT-BASED	256.000 STA	11.000000		2,816.00	

CONTRACT SCHEDULE OF PRICES

\*\*\*\*\*

Vendor No.: JE200 Bid Order No.: 019  
 Contract ID No.: 77-0803-198 Letting Date: December 15, 2015  
 Primary Work Type: BRIDGE AND APPROACHES - STEEL GIRDER 10:00 A.M.  
 Primary County: POLK

Line No	Item Number Item Description	Item Quantity and Unit	Unit Price		Bid Amount	
			Dollars	Cts	Dollars	Cts
0630	2527-9263112 PAINTED PAVEMENT MARKINGS, HIGH-BUILD WATERBORNE	151.400 STA	35.00000		5,299.00	
0640	2527-9263138 PAINTED SYMBOLS AND LEGENDS, HIGH-BUILD WATERBORNE	4.000 EACH	75.00000		300.00	
0650	2527-9263180 PAVEMENT MARKINGS REMOVED	336.000 STA	10.00000		3,360.00	
0660	2527-9270111 GROOVES CUT FOR PAVEMENT MARKINGS	46.420 STA	62.00000		2,878.04	
0670	2527-9270120 GROOVES CUT FOR SYMBOLS AND LEGENDS	4.000 EACH	75.00000		300.00	
0680	2528-8400048 TEMPORARY BARRIER RAIL, CONCRETE	3,150.000 LF	10.00000		31,500.00	
0690	2528-8445110 TRAFFIC CONTROL	LUMP	LUMP		80,000.00	
0700	2533-4980005 MOBILIZATION	LUMP	LUMP		250,000.00	
0710	2551-0000110 TEMP CRASH CUSHION	6.000 EACH	750.00000		4,500.00	
0720	2554-0202200 FITTINGS BY COUNT, DUCTILE IRON, PLUG, 6 IN.	1.000 EACH	200.00000		200.00	
0730	2554-0212020 VALVE BOX EXTENSION	3.000 EACH	600.00000		1,800.00	

CONTRACT SCHEDULE OF PRICES

\*\*\*\*\*

Vendor No.: JE200 Bid Order No.: 019  
 Contract ID No.: 77-0803-198 Letting Date: December 15, 2015  
 Primary Work Type: BRIDGE AND APPROACHES - STEEL GIRDER 10:00 A.M.  
 Primary County: POLK

Line No	Item Number Item Description	Item Quantity and Unit	Unit Price		Bid Amount	
			Dollars	Cts	Dollars	Cts
0740	2599-9999005 ('EACH' ITEM) REMOVE AND REINSTALL EXISTING FIRE HYDRANT ASSEMBLY	1.000 EACH	3,500.00000		3,500.00	
0750	2599-9999005 ('EACH' ITEM) REMOVE EXISTING FIRE HYDRANT ASSEMBLY	1.000 EACH	1,000.00000		1,000.00	
0760	2601-2634100 MULCHING	11.700 ACRE	700.00000		8,190.00	
0770	2601-2634105 MULCHING, BONDED FIBER MATRIX	3.100 ACRE	2,650.00000		8,215.00	
0780	2601-2636015 NATIVE GRASS SEEDING	4.300 ACRE	1,600.00000		6,880.00	
0790	2601-2636044 SEEDING AND FERTILIZING (URBAN)	3.100 ACRE	1,100.00000		3,410.00	
0800	2601-2638352 SLOPE PROTECTION, WOOD EXCELSIOR MAT	692.000 SQ	13.00000		8,996.00	
0810	2601-2642100 STABILIZING CROP - SEEDING AND FERTILIZING	4.300 ACRE	125.00000		537.50	
0820	2601-2642120 STABILIZING CROP - SEEDING AND FERTILIZING (URBAN)	3.100 ACRE	1,100.00000		3,410.00	
0830	2601-2643110 WATERING FOR SOD, SPECIAL DITCH CONTROL, OR SLOPE PROTECTION	156.000 MGAL	60.00000		9,360.00	
0840	2601-2643300 MOBILIZATION FOR WATERING	3.000 EACH	350.00000		1,050.00	

CONTRACT SCHEDULE OF PRICES

\*\*\*\*\*

Vendor No.: JE200 Bid Order No.: 019  
 Contract ID No.: 77-0803-198 Letting Date: December 15, 2015  
 Primary Work Type: BRIDGE AND APPROACHES - STEEL GIRDER 10:00 A.M.  
 Primary County: POLK

Line No	Item Number Item Description	Item Quantity and Unit	Unit Price		Bid Amount	
			Dollars	Cts	Dollars	Cts
0850	2601-2643412 TURF REINFORCEMENT MAT, TYPE  2	 90.000  SQ	 50.00000		 4,500.00	
0860	2602-0000020 SILT FENCE 	 4,352.000  LF	 1.50000		 6,528.00	
0870	2602-0000030 SILT FENCE FOR DITCH CHECKS 	 1,350.000  LF	 1.50000		 2,025.00	
0880	2602-0000050 SILT BASINS 	 8.000  EACH	 350.00000		 2,800.00	
0890	2602-0000071 REMOVAL OF SILT FENCE OR SILT FENCE FOR DITCH CHECKS 	 5,702.000  LF	 0.20000		 1,140.40	
0900	2602-0000080 REMOVAL OF SILT BASINS 	 8.000  EACH	 300.00000		 2,400.00	
0910	2602-0000101 MAINTENANCE OF SILT FENCE OR SILT FENCE FOR DITCH CHECK 	 570.000  LF	 0.20000		 114.00	
0920	2602-0000312 PERIMETER AND SLOPE SEDIMENT CONTROL DEVICE, 12 IN. DIA. 	 580.000  LF	 2.50000		 1,450.00	
0930	2602-0000320 PERIMETER AND SLOPE SEDIMENT CONTROL DEVICE, 20 IN. DIA. 	 440.000  LF	 3.00000		 1,320.00	
0940	2602-0000350 REMOVAL OF PERIMETER AND SLOPE SEDIMENT CONTROL DEVICE 	 140.000  LF	 0.20000		 28.00	

CONTRACT SCHEDULE OF PRICES

\*\*\*\*\*

Vendor No.: JE200 Bid Order No.: 019  
 Contract ID No.: 77-0803-198 Letting Date: December 15, 2015  
 Primary Work Type: BRIDGE AND APPROACHES - STEEL GIRDER 10:00 A.M.  
 Primary County: POLK

Line No	Item Number Item Description	Item Quantity and Unit	Unit Price Dollars   Cts	Bid Amount Dollars   Cts
0950	2602-0010010 MOBILIZATIONS, EROSION CONTROL	18.000 EACH	500.00000	9,000.00
SECTION 0002 ITEMS FOR A 330'-0 X 101'-0 CONTINUOUS WELDED GIRDER BRIDGE NHS-080-3(198)128--11-77				
0960	2301-0685550 BRIDGE APPROACH PAVEMENT, AS PER PLAN	1,614.200 SY	200.00000	322,840.00
0970	2401-6745625 REMOVAL OF EXISTING BRIDGE	LUMP	LUMP	125,000.00
0980	2402-2720000 EXCAVATION, CLASS 20	1,055.000 CY	50.00000	52,750.00
0990	2403-0100010 STRUCTURAL CONCRETE (BRIDGE)	148.400 CY	525.00000	77,910.00
1000	2403-7000210 HIGH PERFORMANCE STRUCTURAL CONCRETE	1,754.700 CY	525.00000	921,217.50
1010	2404-7775000 REINFORCING STEEL	31,028.000 LB	0.80000	24,822.40
1020	2404-7775005 REINFORCING STEEL, EPOXY COATED	378,830.000 LB	0.90000	340,947.00
1030	2404-7775009 REINFORCING STEEL, STAINLESS STEEL	12,555.000 LB	3.20000	40,176.00
1040	2408-7800000 STRUCTURAL STEEL	1,496,627 LB	1.27000	1,900,716.29

CONTRACT SCHEDULE OF PRICES

\*\*\*\*\*

Vendor No.: JE200 Bid Order No.: 019  
 Contract ID No.: 77-0803-198 Letting Date: December 15, 2015  
 Primary Work Type: BRIDGE AND APPROACHES - STEEL GIRDER 10:00 A.M.  
 Primary County: POLK

Line No	Item Number Item Description	Item Quantity and Unit	Unit Price		Bid Amount	
			Dollars	Cts	Dollars	Cts
1050	2414-6425410 CONCRETE BARRIER, REINFORCED, SEPARATION	666.500 LF	70.00000		46,655.00	
1060	2414-6425420 CONCRETE BARRIER, PARAPET	747.300 LF	80.00000		59,784.00	
1070	2414-6445100 STRUCTURAL STEEL PEDESTRIAN HAND RAILING	714.000 LF	70.00000		49,980.00	
1080	2501-0201057 PILES, STEEL, HP 10 X 57	3,700.000 LF	38.00000		140,600.00	
1090	2501-0201274 PILES, STEEL, HP 12 X 74	8,160.000 LF	46.00000		375,360.00	
1100	2501-0201517 PILES, STEEL, HP 14 X 117	3,700.000 LF	63.00000		233,100.00	
1110	2501-6335010 PREBORED HOLES	1,110.000 LF	50.00000		55,500.00	
1120	2507-2638620 MACADAM STONE SLOPE PROTECTION	1,290.000 SY	60.00000		77,400.00	
1130	2507-2638660 BRIDGE WING ARMORING - MACADAM STONE	20.000 SY	550.00000		11,000.00	
1140	2519-1001000 FENCE, CHAIN LINK, VINYL COATED	710.000 LF	95.00000		67,450.00	
1150	2599-9999018 ('SQUARE YARDS' ITEM) MINERAL SILICATE PAINT FOR CONCRETE	850.000 SY	24.00000		20,400.00	

SECTION 0003 ITEMS FOR A TWIN 12' X 10' REINFORCED CONCRETE BOX  
 CULVERT EXTENSION IN-080-3(207)128--15-77

CONTRACT SCHEDULE OF PRICES

\*\*\*\*\*

Vendor No.: JE200 Bid Order No.: 019  
 Contract ID No.: 77-0803-198 Letting Date: December 15, 2015  
 Primary Work Type: BRIDGE AND APPROACHES - STEEL GIRDER 10:00 A.M.  
 Primary County: POLK

Line No	Item Number Item Description	Item Quantity and Unit	Unit Price		Bid Amount	
			Dollars	Cts	Dollars	Cts
1160	2201-0505060 BASE, STANDARD OR SLIP FORM P. C. CONCRETE, 6 IN.	 429.000  SY	 80.00000		 34,320.00	
1170	2401-6750001 REMOVALS, AS PER PLAN	 LUMP	 LUMP		 25,000.00	
1180	2402-2720000 EXCAVATION, CLASS 20	 940.000  CY	 35.00000		 32,900.00	
1190	2403-0100020 STRUCTURAL CONCRETE (RCB CULVERT)	 1,338.200  CY	 415.00000		 555,353.00	
1200	2404-7775000 REINFORCING STEEL	 154,982.000  LB	 0.80000		 123,985.60	
1210	2507-3250005 ENGINEERING FABRIC	 325.000  SY	 3.00000		 975.00	
1220	2507-6800061 REVETMENT, CLASS E	 330.000  TON	 50.00000		 16,500.00	
1230	2526-8285000 CONSTRUCTION SURVEY	 LUMP	 LUMP		 3,000.00	
1240	2533-4980005 MOBILIZATION	 LUMP	 LUMP		 40,000.00	
1250	2599-9999003 ('CUBIC YARDS' ITEM) EXPANDED PLYSTYRENE FILL, (EPS-22)	 382.000  CY	 105.00000		 40,110.00	
1260	2599-9999003 ('CUBIC YARDS' ITEM) EXPANDED PLYSTYRENE FILL, (EPS-39)	 841.000  CY	 140.00000		 117,740.00	

CONTRACT SCHEDULE OF PRICES

\*\*\*\*\*

Vendor No.: JE200 Bid Order No.: 019  
 Contract ID No.: 77-0803-198 Letting Date: December 15, 2015  
 Primary Work Type: BRIDGE AND APPROACHES - STEEL GIRDER 10:00 A.M.  
 Primary County: POLK

Line No	Item Number Item Description	Item Quantity and Unit	Unit Price		Bid Amount	
			Dollars	Cts	Dollars	Cts
1270	2599-9999018 ('SQUARE YARDS' ITEM) IMPERVIOUS GEOMEMBRANE	841.000 SY	24.00000		20,184.00	
TOTAL BID						9,169,135.45

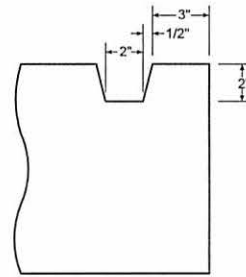
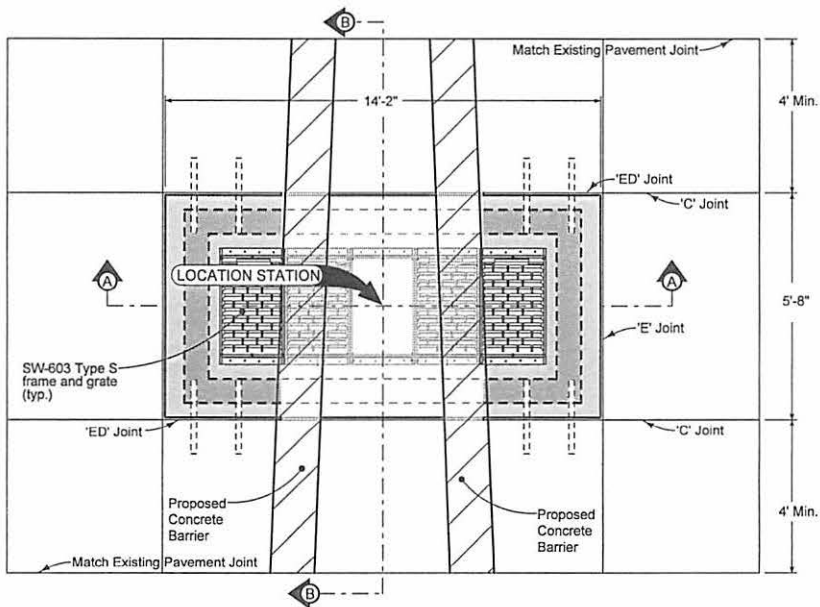
# A d d e n d u m

Iowa Department of Transportation  
Office of Contracts

Date of Letting: December 15, 2015  
Date of Addendum: November 23, 2015

<b>B.O.</b>	<b>Proposal ID</b>	<b>Proposal Work Type</b>	<b>County</b>	<b>Project Number</b>	<b>Addendum</b>
019	77-0803-198	BRIDGE AND APPROACHES - STEEL GIRDER	POLK	NHS-080-3(198)128--11-77 IN-080-3(207)128--15-77	15DEC019.A01

ADD the attached plan sheets U.3, U.4, & U.5 to NHS-080-3(198)128--11-77 plans.



KEYED CONSTRUCTION JOINT DETAIL (INTAKE FLOOR)

**GENERAL NOTES:**

This Detail is intended for use under a concrete barrier.

Materials and methods of construction shall be in accordance with current Standard and Supplemental Specifications.

All reinforcing bars shall be ASTM A615, Grade 60.

Any modification of the intake design shall be subject to the approval of the engineer.

If unit is cast in place, roadway pipe shall be installed before intake sidewall construction is started. Sidewalls shall be constructed as indicated with openings for roadway pipe(s) smoothly shaped and inlet pipe(s) not projecting unnecessarily into well. Outlet pipe(s) shall not project beyond inside face of sidewall. Roadway pipe locations shown here on are typical. Refer to detail project plans for exact locations.

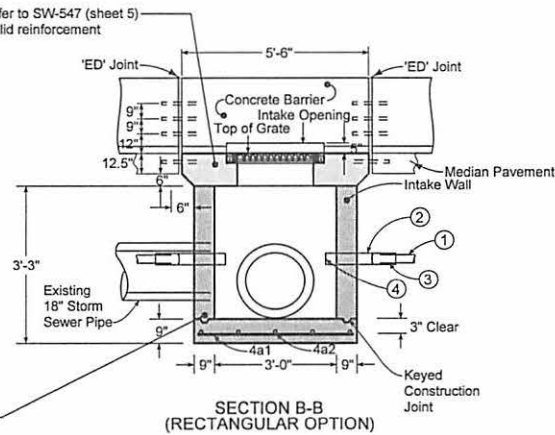
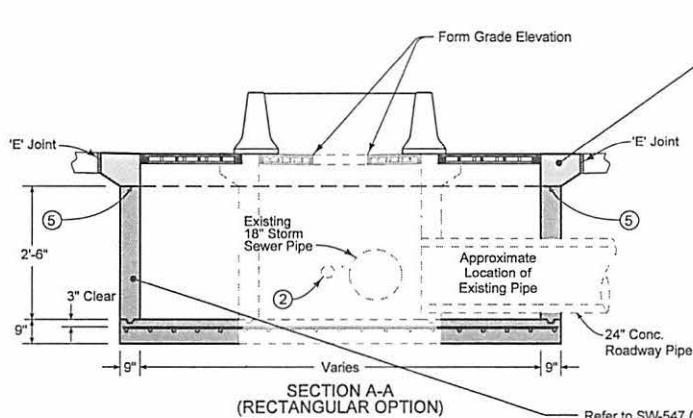
All concrete for intake including base, walls, top, and boxout shall be Class 'C' concrete as per the current Standard Specifications.

Joints in pavement adjacent to intake shall be as shown on Standard Road Plans PV-101. Joint locations shall be as indicated here on except where specifically modified by other plan drawings or by the engineer.

Price bid for intake does not include materials or construction of concrete barrier or boxout area. Boxout area concrete has been included with quantity for concrete pavement, shoulder, or median, whichever is applicable.

Price bid for "Barrier Intake, SW-547 Modified" shall include:

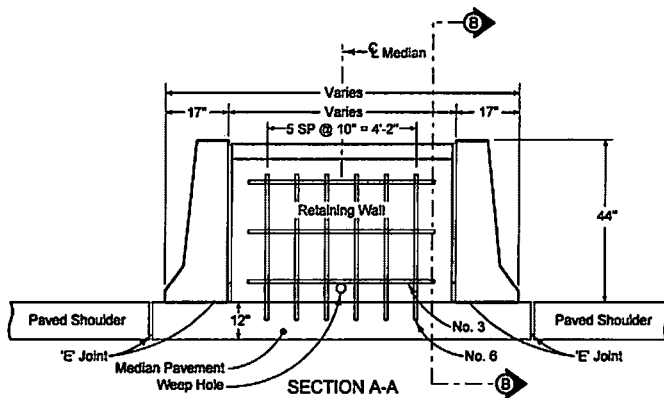
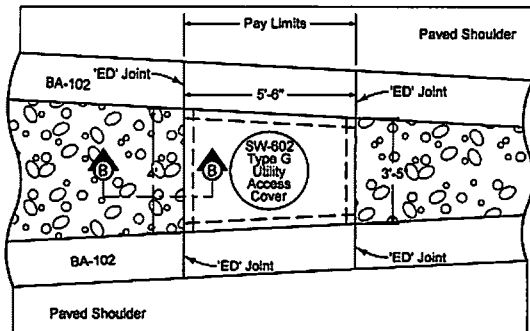
- A. All necessary excavation and backfill.
- B. Satisfactory connection to new or existing roadway pipe detail plans. Connections to precast units shall be grouted.
- C. Furnishing all materials and constructing intake as detailed here on.



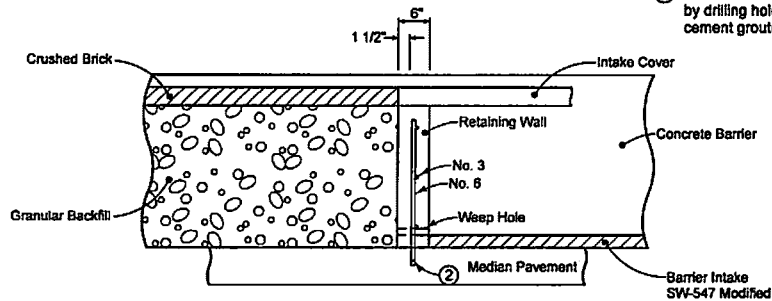
**PLACING SEQUENCE: 1. BASE 2. WALLS 3. TOP 4. BOXOUT**

- ① 4" Perforated Subdrain (Polyethylene corrugated tubing).
- ② 6" CMP 2' long.
- ③ Perforated Subdrain fits into CMP minimum 12" if grout is used. At contractor's option use reducing coupler or grout.
- ④ Removable mesh cap 3/8" hardware cloth.
- ⑤ Trowel smooth and place subgrade paper to prevent bond.

<b>MODIFIED</b>	REVISION
	4 04-21-15
<b>STANDARD ROAD PLAN</b>	
<b>SW-547</b>	
SHEET 1 of 3	
MODIFICATIONS:	
APPROVED BY DESIGN METHODS ENGINEER	
<b>BARRIER INTAKE</b>	
<b>SW-547 MODIFIED</b>	



The clear distance from face of concrete to near edge or end of reinforcing bar to be 2 in. unless otherwise noted.



SECTION B-B

**GENERAL NOTES:**

Details shown here on are for the construction of Concrete Median Retaining Walls between concrete barriers at locations where a Utility Access Cover for Median Intakes is needed. The purpose of the retaining wall is to retain the granular backfill at these intake locations.

All reinforcing steel to be epoxy coated.

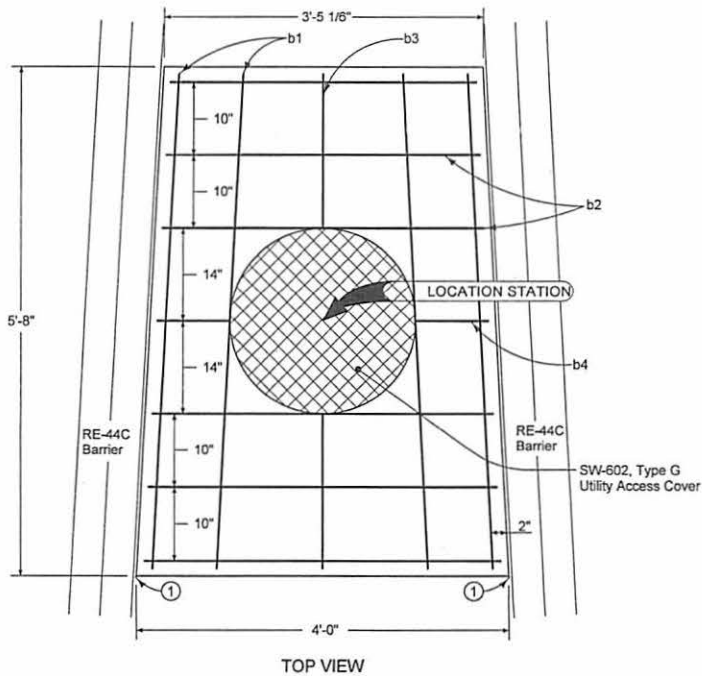
Price bid for "Barrier Intake SW-547 Modified" shall be full compensation for furnishing all materials required, including any reinforcing steel specified, and all equipment and labor necessary to construct the wall.

Contract Items:  
Barrier Intake SW-547 Modified

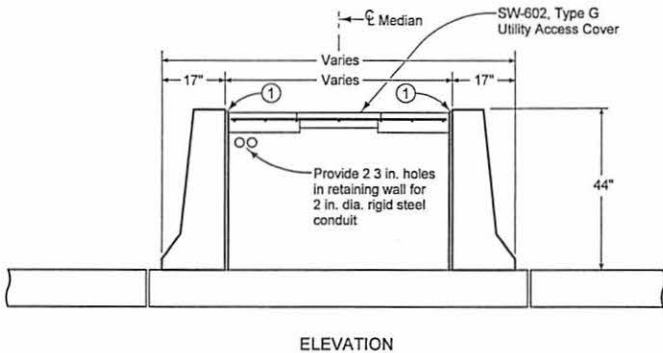
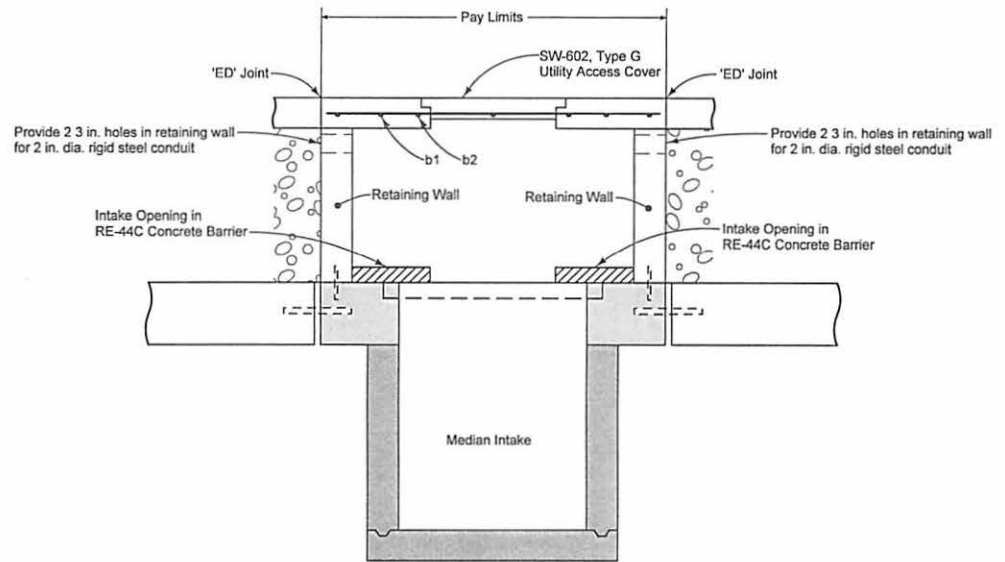
Tabulations:  
104-5B

- ① Weep holes shall be PVC pipe, 3" in diameter and placed at 20 foot intervals. The PVC pipe for Weep holes shall be secured sufficiently to prevent movement during slip form operations and shall be cleaned to remove any concrete immediately after slip forming. Weep holes shall be covered with 24" x 24" copper screening or galvanized hardware cloth and shall extend a minimum of 12" on the median pavement and 12" up the barrier centered on the weep hole. Two layers of 24" x 24" Engineering Fabric shall extend a minimum of 12" on the median pavement and 12" up the barrier centered on the weep hole. The copper screening or galvanized hardware cloth and Engineering Fabric shall be secured sufficiently to prevent movement during placement of backfill materials. The cost of supplying and installing the screening and the Engineering Fabric shall be considered incidental to the bid item "Barrier Intake, SW-547 Modified". Weep holes shall not be placed near transverse joints (minimum 5' separation).
- ② Bars shall be either installed in supporting surface when placed or installed by drilling holes using polymer grout (Material's I.M. 491.11) or hydraulic cement grout (Material's I.M. 491.13).

<b>MODIFIED</b>	REVISION
	4 04-21-15
<b>STANDARD ROAD PLAN</b>	<b>SW-547</b>
	SHEET 2 of 3
MODIFICATIONS:	
APPROVED BY DESIGN METHODS ENGINEER	
<b>BARRIER INTAKE SW-547 MODIFIED</b>	



TOP VIEW



ELEVATION

**GENERAL NOTES:**  
 This detail illustrates the construction and installation of a utility access for existing grate intakes in the median.

Contract items are:  
 Utility Access Cover as per plan  
 Concrete Barrier, RE-44C  
 P.C. Concrete Retaining Wall

Slots will be constructed in the concrete barrier. The concrete barrier may be slip formed or poured in place. P.C. Concrete Retaining wall will be constructed on both sides of the existing intake as shown. The intake top will be poured in place or precast and set on top of the walls.

The clear distance from face of concrete to near edge or end of reinforcing bar to be 2 in. unless otherwise noted.

<b>MODIFIED STANDARD ROAD PLAN</b>	REVISION 4 04-21-15
	<b>SW-547</b> SHEET 3 of 3
MODIFICATIONS:	
APPROVED BY DESIGN METHODS ENGINEER	
<b>BARRIER INTAKE SW-547 MODIFIED</b>	

# A d d e n d u m

Iowa Department of Transportation  
Office of Contracts

Date of Letting: December 15, 2015  
Date of Addendum: November 30, 2015

B.O.	Proposal ID	Proposal Work Type	County	Project Number	Addendum
019	77-0803-198	BRIDGE AND APPROACHES - STEEL GIRDER	POLK	NHS-080-3(198)128--11-77 IN-080-3(207)128--15-77	15DEC019.A02

Make the following changes to the PROPOSAL SPECIAL PROVISIONS LIST & TEXT:

Replace:           IA15-1.1A   HIGHWAY WAGE RATES: IA150001  
STATEWIDE (EXCEPT SCOTT COUNTY)

With:               IA15-1.1B   HIGHWAY WAGE RATES: IA15001  
STATEWIDE (EXCEPT SCOTT COUNTY)

**PREDETERMINED WAGE RATE - GENERAL DECISION NUMBER IA150001  
FOR HEAVY AND HIGHWAY CONSTRUCTION -- STATEWIDE (EXCEPT SCOTT  
COUNTY)**

. Note: The Contractor shall review the contract documents and  
.     is responsible for identifying which zone(s), as defined  
.     in the Predetermined Wage Rate specification, apply to  
.     the work on the contract.

**\*\*\* Additional Requirement \*\*\***

The Prime Contractor shall submit certified payrolls for itself and each approved Subcontractor weekly to the Project Engineer. The Contractor may use the Iowa D.O.T. Certified Payroll form or other approved form. The Contractor shall list the craft for each employee covered by the Predetermined Wage Rates. The Prime Contractor shall sign each of the Subcontractor's payrolls to acknowledge the submittal of the Certified Payroll.

# A d d e n d u m

Iowa Department of Transportation  
Office of Contracts

Date of Letting: December 15, 2015  
Date of Addendum: December 8, 2015

<b>B.O.</b>	<b>Proposal ID</b>	<b>Proposal Work Type</b>	<b>County</b>	<b>Project Number</b>	<b>Addendum</b>
019	77-0803-198	BRIDGE AND APPROACHES - STEEL GIRDER	POLK	NHS-080-3(198)128--11-77 IN-080-3(207)128--15-77	15DEC019.A03

Make the following changes to the PROPOSAL SCHEDULE OF PRICES:

Change Proposal Line No. 1190 2403-0100020 STRUCTURAL CONCRETE (RCB CULVERT):

From: 1,150.200 CY

To: 1,338.200 CY

Change Proposal Line No. 1200 2404-7775000 REINFORCING STEEL:

From: 133,965.000 LB

To: 154,982.000 LB

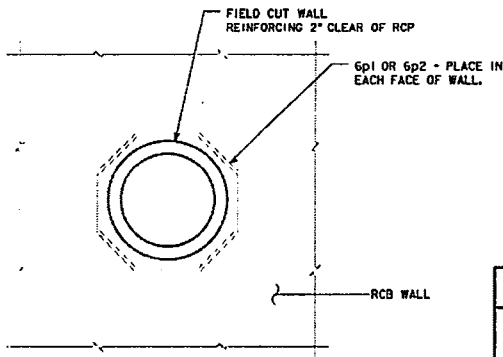
If the above changes are not made, they will be made as shown here.

Replace plan sheets 2, 4, & 5 with attached sheets for project IN-080-3(207)128--15-77.

### ESTIMATED CULVERT QUANTITIES

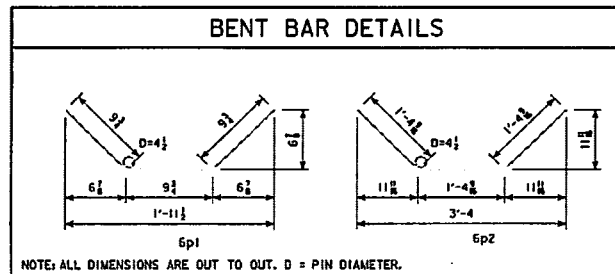
ITEM NO.	ITEM CODE	ITEM	UNIT	TOTAL	AS BUILT QUANTITY
1	2201-0505060	BASE, STANDARD OR SLIP FORM PC CONCRETE, 6 IN. REINFORCING	S.Y.	429	
2	2401-6750001	REMOVALS AS PER PLAN	L.S.	1	
3	2402-2720000	EXCAVATION, CLASS 20	C.Y.	940	
4	2403-0100020	STRUCTURAL CONCRETE (RCB CULVERT)	C.Y.	1338.2	
5	2404-7775000	REINFORCING STEEL	LB.	154,982	
6	2507-3250005	ENGINEERING FABRIC	S.Y.	413	
7	2507-6800051	REVTMENT, CLASS E	TON	301	
8	2526-8285000	CONSTRUCTION SURVEY	L.S.	1	
9	2533-4980005	MOBILIZATION	L.S.	1	
10	2599-9999003	EXPANDED POLYSTYRENE FILL, (EPS-22)	C.Y.	382	
11	2599-9999003	EXPANDED POLYSTYRENE FILL, (EPS-39)	C.Y.	841	
12	2599-9999018	IMPERVIOUS GEOMEMBRANE	S.Y.	841	

ITEM NO.	ESTIMATE REFERENCE INFORMATION
1	ITEM INCLUDES CONSTRUCTION OF LOAD DISTRIBUTION SLAB, SOUTHBOUND SLAB AREA = 219 SY, NB SLAB AREA = 210 SY. FURNISH AND PLACE EPOXY COATED REINFORCING STEEL, INCIDENTAL TO THIS ITEM.
2	INCLUDES REMOVAL OF PORTIONS OF THE EXISTING RCB AS NOTED AND SHOWN ON SHEET 3. INCLUDES SETTING OF DOWEL REINFORCEMENT BARS INTO EXISTING CONCRETE.
3	ITEM INCLUDES EXCAVATION FOR THE EXPANDED POLYSTYRENE FILL IN THE EXISTING EMBANKMENT (590 CY) AND THE RCB EXTENSIONS (350 CY).
4	CERTIFIED PLANT INSPECTION REQUIRED.
7	ESTIMATED 1.6 TON/CY. SEE SHEET 4 FOR EXTENTS.
10, 11	REFER TO SPECIAL PROVISIONS FOR ADDITIONAL EPS INFORMATION.
12	REFER TO SPECIAL PROVISIONS FOR ADDITIONAL GEOMEMBRANE INFORMATION.



**RCP PENETRATION DETAIL**  
(TYPICAL WALL REINFORCING NOT SHOWN)

REINFORCING BAR LIST - RCP PENETRATION					
BAR	LOCATION	SHAPE	NO.	LENGTH	WEIGHT
6p1	15" RCP OPENING		8	2'-5"	29
6p2	36" RCP OPENING		8	4'-2"	50
TOTAL (LBS.)					79



NOTE: ALL DIMENSIONS ARE OUT TO OUT. D = PIN DIAMETER.

### SPECIFICATIONS:

DESIGN: AASHTO LRFD 5th Ed, SERIES OF 2010.

CONSTRUCTION: IOWA DEPARTMENT OF TRANSPORTATION STANDARD SPECIFICATIONS FOR HIGHWAY AND BRIDGE CONSTRUCTION, SERIES 2015, PLUS APPLICABLE GENERAL SUPPLEMENTAL SPECIFICATIONS, DEVELOPMENTAL SPECIFICATIONS, SUPPLEMENTAL SPECIFICATIONS AND SPECIAL PROVISIONS SHALL APPLY TO CONSTRUCTION WORK ON THIS PROJECT. SPECIAL PROVISIONS FOR EXPANDED POLYSTYRENE FILL SPECIAL PROVISIONS FOR GEOMEMBRANE OVER EXPANDED POLYSTYRENE FILL

### DESIGN STRESSES:

DESIGN STRESSES FOR THE FOLLOWING MATERIALS ARE IN ACCORDANCE WITH THE AASHTO LRFD BRIDGE DESIGN SPECIFICATIONS, 5th Ed, SERIES OF 2010. REINFORCING STEEL IN ACCORDANCE WITH LRFD AASHTO SECTION 5, GRADE 60. CONCRETE IN ACCORDANCE WITH LRFD AASHTO SECTION 5,  $f'_c = 4.0$  KSI.

### SUMMARY OF REINFORCING STEEL

LOCATION	QUANTITY	TOTAL
HEADWALLS 0° SKEW	1 AT 8120	8120
38'-0" BARREL EXTENSION	6 AT 20,816	124,896
24'-0" BARREL END SECTION	1 AT 13,147	13,147
BELL JOINT	5 AT 1748	8740
15" RCP OPENING (6p1 BARS)	1 AT 29	29
36" RCP OPENING (6p2 BARS)	1 AT 50	50
TOTAL (LB)		154,982

### CONCRETE PLACEMENT QUANTITIES

LOCATION	FOOTING	WALLS	SLAB	TOTAL
HEADWALLS 0° SKEW	1 AT 45.2	1 AT 16.9	* 1 AT 2.6	64.7
38'-0" BARREL EXTENSION	6 AT 73.8	6 AT 42.2	6 AT 66.3	1093.8
24'-0" BARREL END SECTION	1 AT 46.6	1 AT 26.7	1 AT 41.9	115.2
BELL JOINT	5 AT 5.5	5 AT 2.8	5 AT 4.6	64.5
TOTAL (CY)				1338.2

\* INCLUDES PARAPET AND TOP OF WINGWALL.

### DESIGN HISTORY AT THIS SITE

DES. NO.	TYPE OF WORK
7757	RCB CULVERT CONSTRUCTION

### DESIGN FOR 0° SKEW TWIN 12' X 10' REINFORCED CONCRETE BOX CULVERT EXTENSION

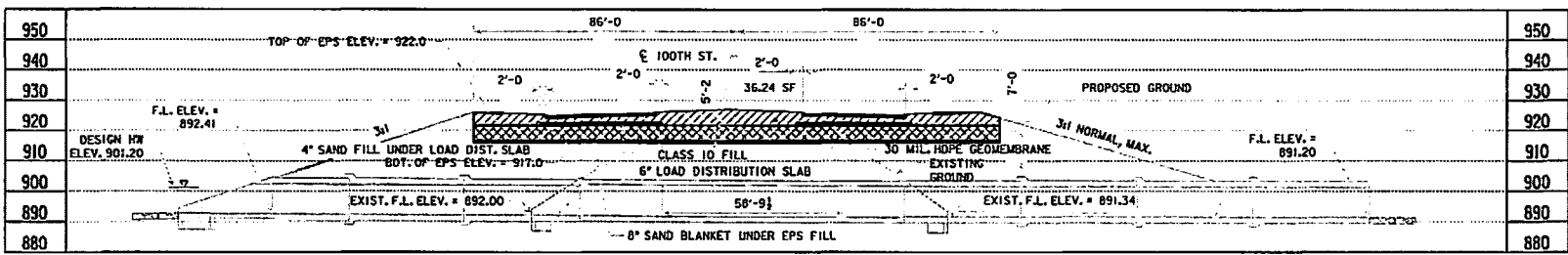
#### QUANTITIES

STA. 1221+80.10 TO 100TH ST. OVER N WALNUT CREEK      AUGUST, 2015

#### POLK COUNTY

IOWA DEPARTMENT OF TRANSPORTATION - HIGHWAY DIVISION  
DESIGN SHEET NO. 1 OF 4      FILE NO. 31240      DESIGN NO. 1315

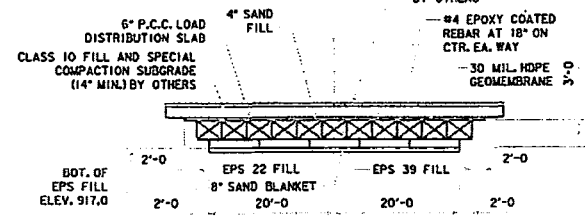




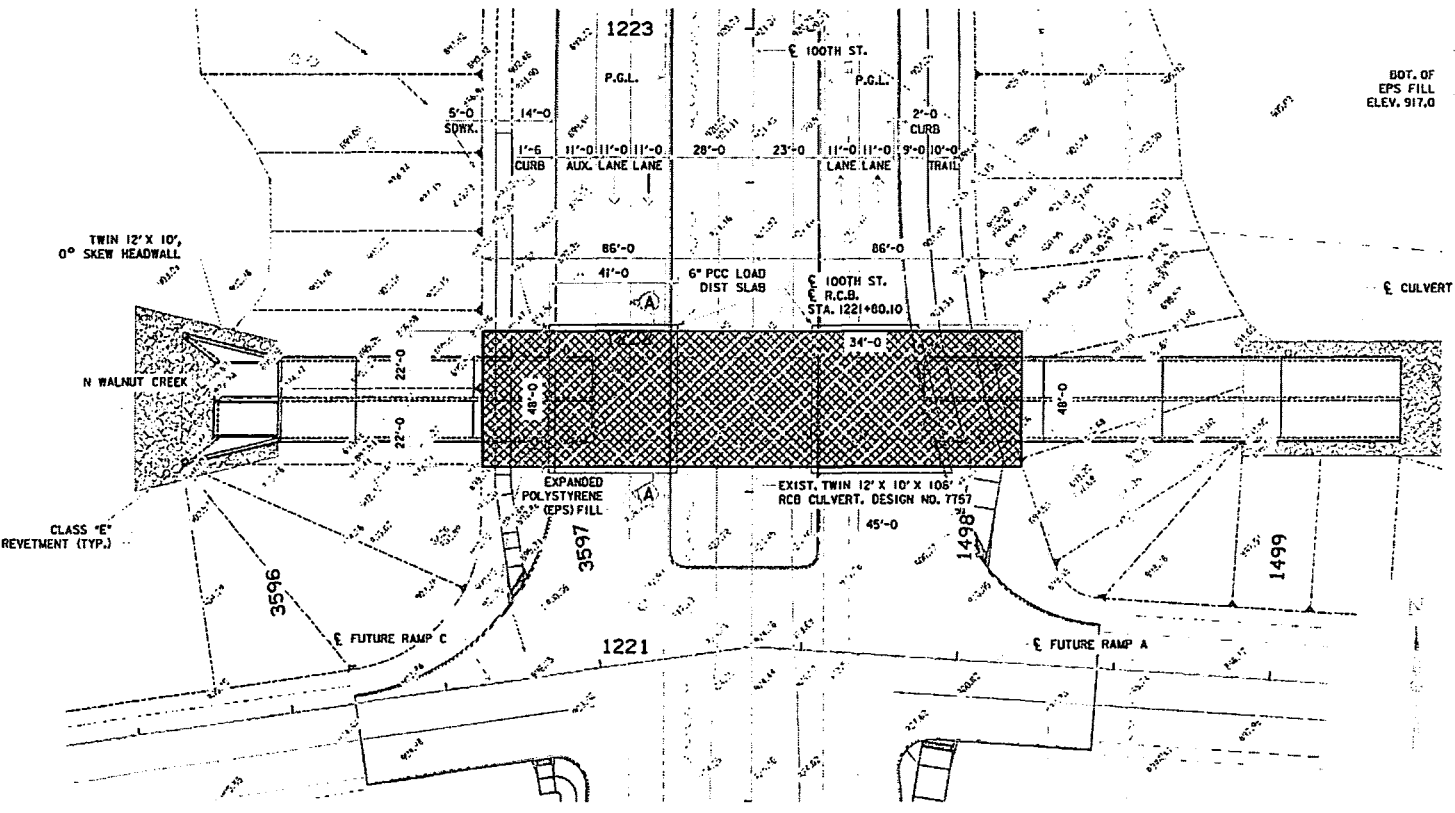
LONGITUDINAL SECTION ALONG CULVERT

FOR PAVEMENT, SUBGRADE AND CLASS 10 FILL DETAILS REFER TO PROJECT NO. NHS-080-3(19B)28--11-77

PAVEMENT SECTION BY OTHERS



SECTION A-A



EPS FILL PLAN

NOTES:

- THE EPS FILL SHOWN DESCRIBES AN ENVELOPE. THE EPS FILL IS TO BE CONTAINED WITHIN THESE LINES, SUBJECT TO THESE TOLERANCES.

LINE	UPPER BOUND	LOWER BOUND
TOP ELEVATION	NO HIGHER	UP TO 6 INCHES LOWER
BOTTOM ELEVATION	NO HIGHER	UP TO 6 INCHES LOWER

SIDES  
INSIDE CORNER OF STEPS TO FOLLOW  
THE ENVELOPE SHOWN OUTSIDE CORNER OF STEP UP TO ONE BLOCK HEIGHT BEYOND ENVELOPE SHOWN.

- EPS 39, AS DEFINED IN THE SPECIAL PROVISIONS, SHALL BE USED FOR THE SURFACE COURSE OF EPS. EPS 22, AS DEFINED IN THE SPECIAL PROVISIONS, SHALL BE USED AT ALL DEPTHS BELOW 3 FEET.
- MINIMUM 3 FEET OF FILL ABOVE OUTSIDE CORNER OF EPS BLOCKS ON FORESLOPES.
- MINIMUM 12 INCHES SAND FILL ABOVE OUTSIDE CORNER OF EPS BLOCKS.
- THE GEOMEMBRANE SHALL EXTEND OVER THE ENTIRE TOP SURFACE OF THE EPS FILL.

DESIGN FOR 0° SKEW  
**TWIN 12' X 10' REINFORCED CONCRETE BOX CULVERT EXTENSION**  
**EPS FILL DETAILS**  
 STA. 1221+80.10 100TH ST. OVER N WALNUT CREEK AUGUST, 2015  
**POLK COUNTY**  
 IOWA DEPARTMENT OF TRANSPORTATION - HIGHWAY DIVISION  
 DESIGN SHEET NO. 4 OF 4 FILE NO. 31240 DESIGN NO. 1315

# A d d e n d u m

Iowa Department of Transportation  
Office of Contracts

Date of Letting: December 15, 2015  
Date of Addendum: December 10, 2015

<b>B.O.</b>	<b>Proposal ID</b>	<b>Proposal Work Type</b>	<b>County</b>	<b>Project Number</b>	<b>Addendum</b>
019	77-0803-198	BRIDGE AND APPROACHES - STEEL GIRDER	POLK	NHS-080-3(198)128--11-77 IN-080-3(207)128--15-77	15DEC019.A04

Make the following changes to the PROPOSAL SCHEDULE OF PRICES:

Change Proposal Line No. 0980 2402-2720000 EXCAVATION, CLASS 20:  
From: 1,460.000 CY  
To: 1,055.000 CY

If the above changes are not made, they will be made as shown here.

ADD the following to the plan:

On Sheet V.3 the Summary of Excavation Quantities Table should be revised as follows:

South Abutment	from 20 CY to 280 CY
North Abutment	from 20 CY to 280 CY
Pier #1	from 1420 CY to 495 CY
Total	from 1460 CY to 1055 CY

On Sheet V.9 the Estimated Quantities Pier Table should be revised as follows:

Class 20 Excavation	from 1420 CY to 495 CY
---------------------	------------------------

On Sheet V.16 the Estimated Quantities Abutments table should be revised as follows:

Class 20 Excavation	N. Abut. from 20 CY to 280 CY
	S. Abut. from 20 CY to 280 CY
	Total from 40 CY to 560 CY

This following is to add the installation of settlement plates north and south of the bridge and the use of surcharge loading on the embankments north of the new bridge construction is included. The inclusion of the surcharge loading as described should reduce the settlement time to better fit with the construction schedule. It is anticipated that the original anticipated embankment settlement will occur within 2 to 4 months after final surcharge placement which should allow for completion of pavement operations within the proposed project schedule.

**Settlement Plates**

Settlement Plates shall be included at the following locations:

103-5 10-15-13			
<b>SETTLEMENT PLATES</b>			
Refer to Standard Road Plan EW-212			
No.	Location		Remarks
	Station	Offset	
1	1215+75.22	42' LT	
2	1215+50.00	52' RT	
3	1222+50.00	72' LT	
4	1221+25.00	35' RT	
5	1222+50.00	72' LT	

The settlement plates shall be installed according to Section 2106 of the Standard Specifications and Standard Road Plan EW-212. Settlement plates will not be measured directly for payment. The cost of furnishing, installing, and extending settlement plates is incidental to the bid item Embankment in Place, Contractor Furnished.

**Surcharge Loading**

Include installation of surcharge loading as described below:

Soil surcharge shall be constructed over all paved areas north of the bridge from the north abutment to Station 1224+00, with the exception of the culvert and associated geofoam filled areas centered at Station 1221+80. The surcharge thickness shall be 5 feet and shall extend full depth a minimum of 10 feet beyond the edge of the pavement. The specific station limits and offsets for the surcharge areas are as follows:

Between the Bridge and the RCB:

- Sta. 1220+09.14      Offset 73.33' Lt.
- Sta. 1221+51.10      Offset 75.89' Lt.
- Sta. 1220+14.97      Offset 73.33' Rt.
- Sta. 1221+51.10      Offset 76.67' Rt.

Note: This includes all areas 10' beyond all pavement, including radius returns for future ramps. Volume of Surcharge fill between the Bridge and RCB = 5220 CY, no shrink factor included.

North of the RCB:

- Sta. 1222+09.10      Offset 75.50' Lt.
- Sta. 1224+00.00      Offset 59.00' Lt.
- Sta. 1222+09.10      Offset 62.50' Rt.
- Sta. 1224+00.00      Offset 53.16' Rt.

Note: This includes all areas 10' beyond pavement. Volume of surcharge fill north of the RCB = 4590 CY, no shrink factor included.

**Notes:**

- 1) Material used for surcharge shall be utilized within the project upon removal as surcharge fill. Approved locations for use of surcharge fill material, in order of preference are as follows:
  - a. RCB fill
  - b. Ramp A and C fill slopes.
- 2) The pay quantity for the bid item Embankment In Place, Contractor Furnished shall be increased by 9,810 CY from 95,576 CY to 105,386 CY. The total pay quantity includes 9,810 CY for surcharge fill placement plus 9,810 CY for removal of surcharge fill and placement elsewhere within the project limits, as directed by the engineer.

# A d d e n d u m

Iowa Department of Transportation

Date of Letting: December 15, 2015

Office of Contracts

Date

of Addendum: December 10, 2015

<b>B.O.</b>	<b>Proposal ID</b>	<b>Proposal Work Type</b>	<b>County</b>	<b>Project Number</b>	<b>Addendum</b>
019	77-0803-198	BRIDGE AND APPROACHES - STEEL GIRDER	POLK	NHS-080-3(198)128--11-77 IN-080-3(207)128--15-77	15DEC019.A05

Make the following changes to the PROPOSAL SCHEDULE OF PRICES:

Change Proposal Line No. 0030 2102-2625001 EMBANKMENT-IN-PLACE, CONTRACTOR  
FURNISHED:

From: 95,576.000 CY

To: 105,386.000 CY

If the above changes are not made, they will be made as shown here.

**REQUIRED CONTRACT PROVISIONS  
FEDERAL-AID CONSTRUCTION CONTRACTS**

- I. General
- II. Nondiscrimination
- III. Nonsegregated Facilities
- IV. Davis-Bacon and Related Act Provisions
- V. Contract Work Hours and Safety Standards Act Provisions
- VI. Subletting or Assigning the Contract
- VII. Safety: Accident Prevention
- VIII. False Statements Concerning Highway Projects
- IX. Implementation of Clean Air Act and Federal Water Pollution Control Act
- X. Compliance with Governmentwide Suspension and Debarment Requirements
- XI. Certification Regarding Use of Contract Funds for Lobbying

3. A breach of any of the stipulations contained in these Required Contract Provisions may be sufficient grounds for withholding of progress payments, withholding of final payment, termination of the contract, suspension / debarment or any other action determined to be appropriate by the contracting agency and FHWA.

4. Selection of Labor: During the performance of this contract, the contractor shall not use convict labor for any purpose within the limits of a construction project on a Federal-aid highway unless it is labor performed by convicts who are on parole, supervised release, or probation. The term Federal-aid highway does not include roadways functionally classified as local roads or rural minor collectors.

**ATTACHMENTS**

A. Employment and Materials Preference for Appalachian Development Highway System or Appalachian Local Access Road Contracts (included in Appalachian contracts only)

**I. GENERAL**

1. Form FHWA-1273 must be physically incorporated in each construction contract funded under Title 23 (excluding emergency contracts solely intended for debris removal). The contractor (or subcontractor) must insert this form in each subcontract and further require its inclusion in all lower tier subcontracts (excluding purchase orders, rental agreements and other agreements for supplies or services).

The applicable requirements of Form FHWA-1273 are incorporated by reference for work done under any purchase order, rental agreement or agreement for other services. The prime contractor shall be responsible for compliance by any subcontractor, lower-tier subcontractor or service provider.

Form FHWA-1273 must be included in all Federal-aid design-build contracts, in all subcontracts and in lower tier subcontracts (excluding subcontracts for design services, purchase orders, rental agreements and other agreements for supplies or services). The design-builder shall be responsible for compliance by any subcontractor, lower-tier subcontractor or service provider.

Contracting agencies may reference Form FHWA-1273 in bid proposal or request for proposal documents, however, the Form FHWA-1273 must be physically incorporated (not referenced) in all contracts, subcontracts and lower-tier subcontracts (excluding purchase orders, rental agreements and other agreements for supplies or services related to a construction contract).

2. Subject to the applicability criteria noted in the following sections, these contract provisions shall apply to all work performed on the contract by the contractor's own organization and with the assistance of workers under the contractor's immediate superintendence and to all work performed on the contract by piecework, station work, or by subcontract.

**II. NONDISCRIMINATION**

The provisions of this section related to 23 CFR Part 230 are applicable to all Federal-aid construction contracts and to all related construction subcontracts of \$10,000 or more. The provisions of 23 CFR Part 230 are not applicable to material supply, engineering, or architectural service contracts.

In addition, the contractor and all subcontractors must comply with the following policies: Executive Order 11246, 41 CFR 60, 29 CFR 1625-1627, Title 23 USC Section 140, the Rehabilitation Act of 1973, as amended (29 USC 794), Title VI of the Civil Rights Act of 1964, as amended, and related regulations including 49 CFR Parts 21, 26 and 27; and 23 CFR Parts 200, 230, and 633.

The contractor and all subcontractors must comply with: the requirements of the Equal Opportunity Clause in 41 CFR 60-1.4(b) and, for all construction contracts exceeding \$10,000, the Standard Federal Equal Employment Opportunity Construction Contract Specifications in 41 CFR 60-4.3.

Note: The U.S. Department of Labor has exclusive authority to determine compliance with Executive Order 11246 and the policies of the Secretary of Labor including 41 CFR 60, and 29 CFR 1625-1627. The contracting agency and the FHWA have the authority and the responsibility to ensure compliance with Title 23 USC Section 140, the Rehabilitation Act of 1973, as amended (29 USC 794), and Title VI of the Civil Rights Act of 1964, as amended, and related regulations including 49 CFR Parts 21, 26 and 27; and 23 CFR Parts 200, 230, and 633.

The following provision is adopted from 23 CFR 230, Appendix A, with appropriate revisions to conform to the U.S. Department of Labor (US DOL) and FHWA requirements.

**1. Equal Employment Opportunity:** Equal employment opportunity (EEO) requirements not to discriminate and to take affirmative action to assure equal opportunity as set forth under laws, executive orders, rules, regulations (28 CFR 35, 29 CFR 1630, 29 CFR 1625-1627, 41 CFR 60 and 49 CFR 27) and orders of the Secretary of Labor as modified by the provisions prescribed herein, and imposed pursuant to 23 U.S.C. 140 shall constitute the EEO and specific affirmative action standards for the contractor's project activities under

this contract. The provisions of the Americans with Disabilities Act of 1990 (42 U.S.C. 12101 et seq.) set forth under 28 CFR 35 and 29 CFR 1630 are incorporated by reference in this contract. In the execution of this contract, the contractor agrees to comply with the following minimum specific requirement activities of EEO:

a. The contractor will work with the contracting agency and the Federal Government to ensure that it has made every good faith effort to provide equal opportunity with respect to all of its terms and conditions of employment and in their review of activities under the contract.

b. The contractor will accept as its operating policy the following statement:

"It is the policy of this Company to assure that applicants are employed, and that employees are treated during employment, without regard to their race, religion, sex, color, national origin, age or disability. Such action shall include: employment, upgrading, demotion, or transfer; recruitment or recruitment advertising; layoff or termination; rates of pay or other forms of compensation; and selection for training, including apprenticeship, pre-apprenticeship, and/or on-the-job training."

**2. EEO Officer:** The contractor will designate and make known to the contracting officers an EEO Officer who will have the responsibility for and must be capable of effectively administering and promoting an active EEO program and who must be assigned adequate authority and responsibility to do so.

**3. Dissemination of Policy:** All members of the contractor's staff who are authorized to hire, supervise, promote, and discharge employees, or who recommend such action, or who are substantially involved in such action, will be made fully cognizant of, and will implement, the contractor's EEO policy and contractual responsibilities to provide EEO in each grade and classification of employment. To ensure that the above agreement will be met, the following actions will be taken as a minimum:

a. Periodic meetings of supervisory and personnel office employees will be conducted before the start of work and then not less often than once every six months, at which time the contractor's EEO policy and its implementation will be reviewed and explained. The meetings will be conducted by the EEO Officer.

b. All new supervisory or personnel office employees will be given a thorough indoctrination by the EEO Officer, covering all major aspects of the contractor's EEO obligations within thirty days following their reporting for duty with the contractor.

c. All personnel who are engaged in direct recruitment for the project will be instructed by the EEO Officer in the contractor's procedures for locating and hiring minorities and women.

d. Notices and posters setting forth the contractor's EEO policy will be placed in areas readily accessible to employees, applicants for employment and potential employees.

e. The contractor's EEO policy and the procedures to implement such policy will be brought to the attention of employees by means of meetings, employee handbooks, or other appropriate means.

**4. Recruitment:** When advertising for employees, the contractor will include in all advertisements for employees the notation: "An Equal Opportunity Employer." All such advertisements will be placed in publications having a large circulation among minorities and women in the area from which the project work force would normally be derived.

a. The contractor will, unless precluded by a valid bargaining agreement, conduct systematic and direct recruitment through public and private employee referral sources likely to yield qualified minorities and women. To meet this requirement, the contractor will identify sources of potential minority group employees, and establish with such identified sources procedures whereby minority and women applicants may be referred to the contractor for employment consideration.

b. In the event the contractor has a valid bargaining agreement providing for exclusive hiring hall referrals, the contractor is expected to observe the provisions of that agreement to the extent that the system meets the contractor's compliance with EEO contract provisions. Where implementation of such an agreement has the effect of discriminating against minorities or women, or obligates the contractor to do the same, such implementation violates Federal nondiscrimination provisions.

c. The contractor will encourage its present employees to refer minorities and women as applicants for employment. Information and procedures with regard to referring such applicants will be discussed with employees.

**5. Personnel Actions:** Wages, working conditions, and employee benefits shall be established and administered, and personnel actions of every type, including hiring, upgrading, promotion, transfer, demotion, layoff, and termination, shall be taken without regard to race, color, religion, sex, national origin, age or disability. The following procedures shall be followed:

a. The contractor will conduct periodic inspections of project sites to insure that working conditions and employee facilities do not indicate discriminatory treatment of project site personnel.

b. The contractor will periodically evaluate the spread of wages paid within each classification to determine any evidence of discriminatory wage practices.

c. The contractor will periodically review selected personnel actions in depth to determine whether there is evidence of discrimination. Where evidence is found, the contractor will promptly take corrective action. If the review indicates that the discrimination may extend beyond the actions reviewed, such corrective action shall include all affected persons.

d. The contractor will promptly investigate all complaints of alleged discrimination made to the contractor in connection with its obligations under this contract, will attempt to resolve such complaints, and will take appropriate corrective action within a reasonable time. If the investigation indicates that the discrimination may affect persons other than the complainant, such corrective action shall include such other persons. Upon completion of each investigation, the contractor will inform every complainant of all of their avenues of appeal.

**6. Training and Promotion:**

a. The contractor will assist in locating, qualifying, and increasing the skills of minorities and women who are

applicants for employment or current employees. Such efforts should be aimed at developing full journey level status employees in the type of trade or job classification involved.

b. Consistent with the contractor's work force requirements and as permissible under Federal and State regulations, the contractor shall make full use of training programs, i.e., apprenticeship, and on-the-job training programs for the geographical area of contract performance. In the event a special provision for training is provided under this contract, this subparagraph will be superseded as indicated in the special provision. The contracting agency may reserve training positions for persons who receive welfare assistance in accordance with 23 U.S.C. 140(a).

c. The contractor will advise employees and applicants for employment of available training programs and entrance requirements for each.

d. The contractor will periodically review the training and promotion potential of employees who are minorities and women and will encourage eligible employees to apply for such training and promotion.

**7. Unions:** If the contractor relies in whole or in part upon unions as a source of employees, the contractor will use good faith efforts to obtain the cooperation of such unions to increase opportunities for minorities and women. Actions by the contractor, either directly or through a contractor's association acting as agent, will include the procedures set forth below:

a. The contractor will use good faith efforts to develop, in cooperation with the unions, joint training programs aimed toward qualifying more minorities and women for membership in the unions and increasing the skills of minorities and women so that they may qualify for higher paying employment.

b. The contractor will use good faith efforts to incorporate an EEO clause into each union agreement to the end that such union will be contractually bound to refer applicants without regard to their race, color, religion, sex, national origin, age or disability.

c. The contractor is to obtain information as to the referral practices and policies of the labor union except that to the extent such information is within the exclusive possession of the labor union and such labor union refuses to furnish such information to the contractor, the contractor shall so certify to the contracting agency and shall set forth what efforts have been made to obtain such information.

d. In the event the union is unable to provide the contractor with a reasonable flow of referrals within the time limit set forth in the collective bargaining agreement, the contractor will, through independent recruitment efforts, fill the employment vacancies without regard to race, color, religion, sex, national origin, age or disability; making full efforts to obtain qualified and/or qualifiable minorities and women. The failure of a union to provide sufficient referrals (even though it is obligated to provide exclusive referrals under the terms of a collective bargaining agreement) does not relieve the contractor from the requirements of this paragraph. In the event the union referral practice prevents the contractor from meeting the obligations pursuant to Executive Order 11246, as amended, and these special provisions, such contractor shall immediately notify the contracting agency.

**8. Reasonable Accommodation for Applicants / Employees with Disabilities:** The contractor must be familiar

with the requirements for and comply with the Americans with Disabilities Act and all rules and regulations established there under. Employers must provide reasonable accommodation in all employment activities unless to do so would cause an undue hardship.

**9. Selection of Subcontractors, Procurement of Materials and Leasing of Equipment:** The contractor shall not discriminate on the grounds of race, color, religion, sex, national origin, age or disability in the selection and retention of subcontractors, including procurement of materials and leases of equipment. The contractor shall take all necessary and reasonable steps to ensure nondiscrimination in the administration of this contract.

a. The contractor shall notify all potential subcontractors and suppliers and lessors of their EEO obligations under this contract.

b. The contractor will use good faith efforts to ensure subcontractor compliance with their EEO obligations.

**10. Assurance Required by 49 CFR 26.13(b):**

a. The requirements of 49 CFR Part 26 and the State DOT's U.S. DOT-approved DBE program are incorporated by reference.

b. The contractor or subcontractor shall not discriminate on the basis of race, color, national origin, or sex in the performance of this contract. The contractor shall carry out applicable requirements of 49 CFR Part 26 in the award and administration of DOT-assisted contracts. Failure by the contractor to carry out these requirements is a material breach of this contract, which may result in the termination of this contract or such other remedy as the contracting agency deems appropriate.

**11. Records and Reports:** The contractor shall keep such records as necessary to document compliance with the EEO requirements. Such records shall be retained for a period of three years following the date of the final payment to the contractor for all contract work and shall be available at reasonable times and places for inspection by authorized representatives of the contracting agency and the FHWA.

a. The records kept by the contractor shall document the following:

(1) The number and work hours of minority and non-minority group members and women employed in each work classification on the project;

(2) The progress and efforts being made in cooperation with unions, when applicable, to increase employment opportunities for minorities and women; and

(3) The progress and efforts being made in locating, hiring, training, qualifying, and upgrading minorities and women;

b. The contractors and subcontractors will submit an annual report to the contracting agency each July for the duration of the project, indicating the number of minority, women, and non-minority group employees currently engaged in each work classification required by the contract work. This information is to be reported on Form FHWA-1391. The staffing data should represent the project work force on board in all or any part of the last payroll period preceding the end of July. If on-the-job training is being required by special provision, the contractor

will be required to collect and report training data. The employment data should reflect the work force on board during all or any part of the last payroll period preceding the end of July.

### III. NONSEGREGATED FACILITIES

This provision is applicable to all Federal-aid construction contracts and to all related construction subcontracts of \$10,000 or more.

The contractor must ensure that facilities provided for employees are provided in such a manner that segregation on the basis of race, color, religion, sex, or national origin cannot result. The contractor may neither require such segregated use by written or oral policies nor tolerate such use by employee custom. The contractor's obligation extends further to ensure that its employees are not assigned to perform their services at any location, under the contractor's control, where the facilities are segregated. The term "facilities" includes waiting rooms, work areas, restaurants and other eating areas, time clocks, restrooms, washrooms, locker rooms, and other storage or dressing areas, parking lots, drinking fountains, recreation or entertainment areas, transportation, and housing provided for employees. The contractor shall provide separate or single-user restrooms and necessary dressing or sleeping areas to assure privacy between sexes.

### IV. DAVIS-BACON AND RELATED ACT PROVISIONS

This section is applicable to all Federal-aid construction projects exceeding \$2,000 and to all related subcontracts and lower-tier subcontracts (regardless of subcontract size). The requirements apply to all projects located within the right-of-way of a roadway that is functionally classified as Federal-aid highway. This excludes roadways functionally classified as local roads or rural minor collectors, which are exempt. Contracting agencies may elect to apply these requirements to other projects.

The following provisions are from the U.S. Department of Labor regulations in 29 CFR 5.5 "Contract provisions and related matters" with minor revisions to conform to the FHWA-1273 format and FHWA program requirements.

#### 1. Minimum wages

a. All laborers and mechanics employed or working upon the site of the work, will be paid unconditionally and not less often than once a week, and without subsequent deduction or rebate on any account (except such payroll deductions as are permitted by regulations issued by the Secretary of Labor under the Copeland Act (29 CFR part 3)), the full amount of wages and bona fide fringe benefits (or cash equivalents thereof) due at time of payment computed at rates not less than those contained in the wage determination of the Secretary of Labor which is attached hereto and made a part hereof, regardless of any contractual relationship which may be alleged to exist between the contractor and such laborers and mechanics.

Contributions made or costs reasonably anticipated for bona fide fringe benefits under section 1(b)(2) of the Davis-Bacon Act on behalf of laborers or mechanics are considered wages paid to such laborers or mechanics, subject to the provisions

of paragraph 1.d. of this section; also, regular contributions made or costs incurred for more than a weekly period (but not less often than quarterly) under plans, funds, or programs which cover the particular weekly period, are deemed to be constructively made or incurred during such weekly period. Such laborers and mechanics shall be paid the appropriate wage rate and fringe benefits on the wage determination for the classification of work actually performed, without regard to skill, except as provided in 29 CFR 5.5(a)(4). Laborers or mechanics performing work in more than one classification may be compensated at the rate specified for each classification for the time actually worked therein: Provided, That the employer's payroll records accurately set forth the time spent in each classification in which work is performed. The wage determination (including any additional classification and wage rates conformed under paragraph 1.b. of this section) and the Davis-Bacon poster (WH-1321) shall be posted at all times by the contractor and its subcontractors at the site of the work in a prominent and accessible place where it can be easily seen by the workers.

b.(1) The contracting officer shall require that any class of laborers or mechanics, including helpers, which is not listed in the wage determination and which is to be employed under the contract shall be classified in conformance with the wage determination. The contracting officer shall approve an additional classification and wage rate and fringe benefits therefore only when the following criteria have been met:

(i) The work to be performed by the classification requested is not performed by a classification in the wage determination; and

(ii) The classification is utilized in the area by the construction industry; and

(iii) The proposed wage rate, including any bona fide fringe benefits, bears a reasonable relationship to the wage rates contained in the wage determination.

(2) If the contractor and the laborers and mechanics to be employed in the classification (if known), or their representatives, and the contracting officer agree on the classification and wage rate (including the amount designated for fringe benefits where appropriate), a report of the action taken shall be sent by the contracting officer to the Administrator of the Wage and Hour Division, Employment Standards Administration, U.S. Department of Labor, Washington, DC 20210. The Administrator, or an authorized representative, will approve, modify, or disapprove every additional classification action within 30 days of receipt and so advise the contracting officer or will notify the contracting officer within the 30-day period that additional time is necessary.

(3) In the event the contractor, the laborers or mechanics to be employed in the classification or their representatives, and the contracting officer do not agree on the proposed classification and wage rate (including the amount designated for fringe benefits, where appropriate), the contracting officer shall refer the questions, including the views of all interested parties and the recommendation of the contracting officer, to the Wage and Hour Administrator for determination. The Wage and Hour Administrator, or an authorized representative, will issue a determination within 30 days of receipt and so advise the contracting officer or

will notify the contracting officer within the 30-day period that additional time is necessary.

(4) The wage rate (including fringe benefits where appropriate) determined pursuant to paragraphs 1.b.(2) or 1.b.(3) of this section, shall be paid to all workers performing work in the classification under this contract from the first day on which work is performed in the classification.

c. Whenever the minimum wage rate prescribed in the contract for a class of laborers or mechanics includes a fringe benefit which is not expressed as an hourly rate, the contractor shall either pay the benefit as stated in the wage determination or shall pay another bona fide fringe benefit or an hourly cash equivalent thereof.

d. If the contractor does not make payments to a trustee or other third person, the contractor may consider as part of the wages of any laborer or mechanic the amount of any costs reasonably anticipated in providing bona fide fringe benefits under a plan or program, Provided, That the Secretary of Labor has found, upon the written request of the contractor, that the applicable standards of the Davis-Bacon Act have been met. The Secretary of Labor may require the contractor to set aside in a separate account assets for the meeting of obligations under the plan or program.

## 2. Withholding

The contracting agency shall upon its own action or upon written request of an authorized representative of the Department of Labor, withhold or cause to be withheld from the contractor under this contract, or any other Federal contract with the same prime contractor, or any other federally-assisted contract subject to Davis-Bacon prevailing wage requirements, which is held by the same prime contractor, so much of the accrued payments or advances as may be considered necessary to pay laborers and mechanics, including apprentices, trainees, and helpers, employed by the contractor or any subcontractor the full amount of wages required by the contract. In the event of failure to pay any laborer or mechanic, including any apprentice, trainee, or helper, employed or working on the site of the work, all or part of the wages required by the contract, the contracting agency may, after written notice to the contractor, take such action as may be necessary to cause the suspension of any further payment, advance, or guarantee of funds until such violations have ceased.

## 3. Payrolls and basic records

a. Payrolls and basic records relating thereto shall be maintained by the contractor during the course of the work and preserved for a period of three years thereafter for all laborers and mechanics working at the site of the work. Such records shall contain the name, address, and social security number of each such worker, his or her correct classification, hourly rates of wages paid (including rates of contributions or costs anticipated for bona fide fringe benefits or cash equivalents thereof of the types described in section 1(b)(2)(B) of the Davis-Bacon Act), daily and weekly number of hours worked, deductions made and actual wages paid. Whenever the Secretary of Labor has found under 29 CFR 5.5(a)(1)(iv) that the wages of any laborer or mechanic include the amount of any costs reasonably anticipated in providing benefits under a plan or program described in section 1(b)(2)(B) of the Davis-

Bacon Act, the contractor shall maintain records which show that the commitment to provide such benefits is enforceable, that the plan or program is financially responsible, and that the plan or program has been communicated in writing to the laborers or mechanics affected, and records which show the costs anticipated or the actual cost incurred in providing such benefits. Contractors employing apprentices or trainees under approved programs shall maintain written evidence of the registration of apprenticeship programs and certification of trainee programs, the registration of the apprentices and trainees, and the ratios and wage rates prescribed in the applicable programs.

b.(1) The contractor shall submit weekly for each week in which any contract work is performed a copy of all payrolls to the contracting agency. The payrolls submitted shall set out accurately and completely all of the information required to be maintained under 29 CFR 5.5(a)(3)(i), except that full social security numbers and home addresses shall not be included on weekly transmittals. Instead the payrolls shall only need to include an individually identifying number for each employee ( e.g. , the last four digits of the employee's social security number). The required weekly payroll information may be submitted in any form desired. Optional Form WH-347 is available for this purpose from the Wage and Hour Division Web site at <http://www.dol.gov/esa/whd/forms/wh347instr.htm> or its successor site. The prime contractor is responsible for the submission of copies of payrolls by all subcontractors. Contractors and subcontractors shall maintain the full social security number and current address of each covered worker, and shall provide them upon request to the contracting agency for transmission to the State DOT, the FHWA or the Wage and Hour Division of the Department of Labor for purposes of an investigation or audit of compliance with prevailing wage requirements. It is not a violation of this section for a prime contractor to require a subcontractor to provide addresses and social security numbers to the prime contractor for its own records, without weekly submission to the contracting agency..

(2) Each payroll submitted shall be accompanied by a "Statement of Compliance," signed by the contractor or subcontractor or his or her agent who pays or supervises the payment of the persons employed under the contract and shall certify the following:

(i) That the payroll for the payroll period contains the information required to be provided under §5.5 (a)(3)(ii) of Regulations, 29 CFR part 5, the appropriate information is being maintained under §5.5 (a)(3)(i) of Regulations, 29 CFR part 5, and that such information is correct and complete;

(ii) That each laborer or mechanic (including each helper, apprentice, and trainee) employed on the contract during the payroll period has been paid the full weekly wages earned, without rebate, either directly or indirectly, and that no deductions have been made either directly or indirectly from the full wages earned, other than permissible deductions as set forth in Regulations, 29 CFR part 3;

(iii) That each laborer or mechanic has been paid not less than the applicable wage rates and fringe benefits or cash equivalents for the classification of work performed, as specified in the applicable wage determination incorporated into the contract.

(3) The weekly submission of a properly executed certification set forth on the reverse side of Optional Form WH-347 shall satisfy the requirement for submission of the "Statement of Compliance" required by paragraph 3.b.(2) of this section.

(4) The falsification of any of the above certifications may subject the contractor or subcontractor to civil or criminal prosecution under section 1001 of title 18 and section 231 of title 31 of the United States Code.

c. The contractor or subcontractor shall make the records required under paragraph 3.a. of this section available for inspection, copying, or transcription by authorized representatives of the contracting agency, the State DOT, the FHWA, or the Department of Labor, and shall permit such representatives to interview employees during working hours on the job. If the contractor or subcontractor fails to submit the required records or to make them available, the FHWA may, after written notice to the contractor, the contracting agency or the State DOT, take such action as may be necessary to cause the suspension of any further payment, advance, or guarantee of funds. Furthermore, failure to submit the required records upon request or to make such records available may be grounds for debarment action pursuant to 29 CFR 5.12.

#### 4. Apprentices and trainees

##### a. Apprentices (programs of the USDOL).

Apprentices will be permitted to work at less than the predetermined rate for the work they performed when they are employed pursuant to and individually registered in a bona fide apprenticeship program registered with the U.S. Department of Labor, Employment and Training Administration, Office of Apprenticeship Training, Employer and Labor Services, or with a State Apprenticeship Agency recognized by the Office, or if a person is employed in his or her first 90 days of probationary employment as an apprentice in such an apprenticeship program, who is not individually registered in the program, but who has been certified by the Office of Apprenticeship Training, Employer and Labor Services or a State Apprenticeship Agency (where appropriate) to be eligible for probationary employment as an apprentice.

The allowable ratio of apprentices to journeymen on the job site in any craft classification shall not be greater than the ratio permitted to the contractor as to the entire work force under the registered program. Any worker listed on a payroll at an apprentice wage rate, who is not registered or otherwise employed as stated above, shall be paid not less than the applicable wage rate on the wage determination for the classification of work actually performed. In addition, any apprentice performing work on the job site in excess of the ratio permitted under the registered program shall be paid not less than the applicable wage rate on the wage determination for the work actually performed. Where a contractor is performing construction on a project in a locality other than that in which its program is registered, the ratios and wage rates (expressed in percentages of the journeyman's hourly rate) specified in the contractor's or subcontractor's registered program shall be observed.

Every apprentice must be paid at not less than the rate specified in the registered program for the apprentice's level of progress, expressed as a percentage of the journeymen hourly

rate specified in the applicable wage determination. Apprentices shall be paid fringe benefits in accordance with the provisions of the apprenticeship program. If the apprenticeship program does not specify fringe benefits, apprentices must be paid the full amount of fringe benefits listed on the wage determination for the applicable classification. If the Administrator determines that a different practice prevails for the applicable apprentice classification, fringes shall be paid in accordance with that determination.

In the event the Office of Apprenticeship Training, Employer and Labor Services, or a State Apprenticeship Agency recognized by the Office, withdraws approval of an apprenticeship program, the contractor will no longer be permitted to utilize apprentices at less than the applicable predetermined rate for the work performed until an acceptable program is approved.

##### b. Trainees (programs of the USDOL).

Except as provided in 29 CFR 5.16, trainees will not be permitted to work at less than the predetermined rate for the work performed unless they are employed pursuant to and individually registered in a program which has received prior approval, evidenced by formal certification by the U.S. Department of Labor, Employment and Training Administration.

The ratio of trainees to journeymen on the job site shall not be greater than permitted under the plan approved by the Employment and Training Administration.

Every trainee must be paid at not less than the rate specified in the approved program for the trainee's level of progress, expressed as a percentage of the journeyman hourly rate specified in the applicable wage determination. Trainees shall be paid fringe benefits in accordance with the provisions of the trainee program. If the trainee program does not mention fringe benefits, trainees shall be paid the full amount of fringe benefits listed on the wage determination unless the Administrator of the Wage and Hour Division determines that there is an apprenticeship program associated with the corresponding journeyman wage rate on the wage determination which provides for less than full fringe benefits for apprentices. Any employee listed on the payroll at a trainee rate who is not registered and participating in a training plan approved by the Employment and Training Administration shall be paid not less than the applicable wage rate on the wage determination for the classification of work actually performed. In addition, any trainee performing work on the job site in excess of the ratio permitted under the registered program shall be paid not less than the applicable wage rate on the wage determination for the work actually performed.

In the event the Employment and Training Administration withdraws approval of a training program, the contractor will no longer be permitted to utilize trainees at less than the applicable predetermined rate for the work performed until an acceptable program is approved.

c. Equal employment opportunity. The utilization of apprentices, trainees and journeymen under this part shall be in conformity with the equal employment opportunity requirements of Executive Order 11246, as amended, and 29 CFR part 30.

d. Apprentices and Trainees (programs of the U.S. DOT).

Apprentices and trainees working under apprenticeship and skill training programs which have been certified by the Secretary of Transportation as promoting EEO in connection with Federal-aid highway construction programs are not subject to the requirements of paragraph 4 of this Section IV. The straight time hourly wage rates for apprentices and trainees under such programs will be established by the particular programs. The ratio of apprentices and trainees to journeymen shall not be greater than permitted by the terms of the particular program.

**5. Compliance with Copeland Act requirements.** The contractor shall comply with the requirements of 29 CFR part 3, which are incorporated by reference in this contract.

**6. Subcontracts.** The contractor or subcontractor shall insert Form FHWA-1273 in any subcontracts and also require the subcontractors to include Form FHWA-1273 in any lower tier subcontracts. The prime contractor shall be responsible for the compliance by any subcontractor or lower tier subcontractor with all the contract clauses in 29 CFR 5.5.

**7. Contract termination: debarment.** A breach of the contract clauses in 29 CFR 5.5 may be grounds for termination of the contract, and for debarment as a contractor and a subcontractor as provided in 29 CFR 5.12.

**8. Compliance with Davis-Bacon and Related Act requirements.** All rulings and interpretations of the Davis-Bacon and Related Acts contained in 29 CFR parts 1, 3, and 5 are herein incorporated by reference in this contract.

**9. Disputes concerning labor standards.** Disputes arising out of the labor standards provisions of this contract shall not be subject to the general disputes clause of this contract. Such disputes shall be resolved in accordance with the procedures of the Department of Labor set forth in 29 CFR parts 5, 6, and 7. Disputes within the meaning of this clause include disputes between the contractor (or any of its subcontractors) and the contracting agency, the U.S. Department of Labor, or the employees or their representatives.

**10. Certification of eligibility.**

a. By entering into this contract, the contractor certifies that neither it (nor he or she) nor any person or firm who has an interest in the contractor's firm is a person or firm ineligible to be awarded Government contracts by virtue of section 3(a) of the Davis-Bacon Act or 29 CFR 5.12(a)(1).

b. No part of this contract shall be subcontracted to any person or firm ineligible for award of a Government contract by virtue of section 3(a) of the Davis-Bacon Act or 29 CFR 5.12(a)(1).

c. The penalty for making false statements is prescribed in the U.S. Criminal Code, 18 U.S.C. 1001.

**V. CONTRACT WORK HOURS AND SAFETY STANDARDS ACT**

The following clauses apply to any Federal-aid construction contract in an amount in excess of \$100,000 and subject to the overtime provisions of the Contract Work Hours and Safety Standards Act. These clauses shall be inserted in addition to the clauses required by 29 CFR 5.5(a) or 29 CFR 4.6. As used in this paragraph, the terms laborers and mechanics include watchmen and guards.

**1. Overtime requirements.** No contractor or subcontractor contracting for any part of the contract work which may require or involve the employment of laborers or mechanics shall require or permit any such laborer or mechanic in any workweek in which he or she is employed on such work to work in excess of forty hours in such workweek unless such laborer or mechanic receives compensation at a rate not less than one and one-half times the basic rate of pay for all hours worked in excess of forty hours in such workweek.

**2. Violation; liability for unpaid wages; liquidated damages.** In the event of any violation of the clause set forth in paragraph (1.) of this section, the contractor and any subcontractor responsible therefor shall be liable for the unpaid wages. In addition, such contractor and subcontractor shall be liable to the United States (in the case of work done under contract for the District of Columbia or a territory, to such District or to such territory), for liquidated damages. Such liquidated damages shall be computed with respect to each individual laborer or mechanic, including watchmen and guards, employed in violation of the clause set forth in paragraph (1.) of this section, in the sum of \$10 for each calendar day on which such individual was required or permitted to work in excess of the standard workweek of forty hours without payment of the overtime wages required by the clause set forth in paragraph (1.) of this section.

**3. Withholding for unpaid wages and liquidated damages.** The FHWA or the contacting agency shall upon its own action or upon written request of an authorized representative of the Department of Labor withhold or cause to be withheld, from any moneys payable on account of work performed by the contractor or subcontractor under any such contract or any other Federal contract with the same prime contractor, or any other federally-assisted contract subject to the Contract Work Hours and Safety Standards Act, which is held by the same prime contractor, such sums as may be determined to be necessary to satisfy any liabilities of such contractor or subcontractor for unpaid wages and liquidated damages as provided in the clause set forth in paragraph (2.) of this section.

**4. Subcontracts.** The contractor or subcontractor shall insert in any subcontracts the clauses set forth in paragraph (1.) through (4.) of this section and also a clause requiring the subcontractors to include these clauses in any lower tier subcontracts. The prime contractor shall be responsible for compliance by any subcontractor or lower tier subcontractor with the clauses set forth in paragraphs (1.) through (4.) of this section.

## VI. SUBLETTING OR ASSIGNING THE CONTRACT

This provision is applicable to all Federal-aid construction contracts on the National Highway System.

1. The contractor shall perform with its own organization contract work amounting to not less than 30 percent (or a greater percentage if specified elsewhere in the contract) of the total original contract price, excluding any specialty items designated by the contracting agency. Specialty items may be performed by subcontract and the amount of any such specialty items performed may be deducted from the total original contract price before computing the amount of work required to be performed by the contractor's own organization (23 CFR 635.116).

a. The term "perform work with its own organization" refers to workers employed or leased by the prime contractor, and equipment owned or rented by the prime contractor, with or without operators. Such term does not include employees or equipment of a subcontractor or lower tier subcontractor, agents of the prime contractor, or any other assignees. The term may include payments for the costs of hiring leased employees from an employee leasing firm meeting all relevant Federal and State regulatory requirements. Leased employees may only be included in this term if the prime contractor meets all of the following conditions:

(1) the prime contractor maintains control over the supervision of the day-to-day activities of the leased employees;

(2) the prime contractor remains responsible for the quality of the work of the leased employees;

(3) the prime contractor retains all power to accept or exclude individual employees from work on the project; and

(4) the prime contractor remains ultimately responsible for the payment of predetermined minimum wages, the submission of payrolls, statements of compliance and all other Federal regulatory requirements.

b. "Specialty Items" shall be construed to be limited to work that requires highly specialized knowledge, abilities, or equipment not ordinarily available in the type of contracting organizations qualified and expected to bid or propose on the contract as a whole and in general are to be limited to minor components of the overall contract.

2. The contract amount upon which the requirements set forth in paragraph (1) of Section VI is computed includes the cost of material and manufactured products which are to be purchased or produced by the contractor under the contract provisions.

3. The contractor shall furnish (a) a competent superintendent or supervisor who is employed by the firm, has full authority to direct performance of the work in accordance with the contract requirements, and is in charge of all construction operations (regardless of who performs the work) and (b) such other of its own organizational resources (supervision, management, and engineering services) as the contracting officer determines is necessary to assure the performance of the contract.

4. No portion of the contract shall be sublet, assigned or otherwise disposed of except with the written consent of the contracting officer, or authorized representative, and such consent when given shall not be construed to relieve the contractor of any responsibility for the fulfillment of the contract. Written consent will be given only after the contracting agency has assured that each subcontract is

evidenced in writing and that it contains all pertinent provisions and requirements of the prime contract.

5. The 30% self-performance requirement of paragraph (1) is not applicable to design-build contracts; however, contracting agencies may establish their own self-performance requirements.

## VII. SAFETY: ACCIDENT PREVENTION

This provision is applicable to all Federal-aid construction contracts and to all related subcontracts.

1. In the performance of this contract the contractor shall comply with all applicable Federal, State, and local laws governing safety, health, and sanitation (23 CFR 635). The contractor shall provide all safeguards, safety devices and protective equipment and take any other needed actions as it determines, or as the contracting officer may determine, to be reasonably necessary to protect the life and health of employees on the job and the safety of the public and to protect property in connection with the performance of the work covered by the contract.

2. It is a condition of this contract, and shall be made a condition of each subcontract, which the contractor enters into pursuant to this contract, that the contractor and any subcontractor shall not permit any employee, in performance of the contract, to work in surroundings or under conditions which are unsanitary, hazardous or dangerous to his/her health or safety, as determined under construction safety and health standards (29 CFR 1926) promulgated by the Secretary of Labor, in accordance with Section 107 of the Contract Work Hours and Safety Standards Act (40 U.S.C. 3704).

3. Pursuant to 29 CFR 1926.3, it is a condition of this contract that the Secretary of Labor or authorized representative thereof, shall have right of entry to any site of contract performance to inspect or investigate the matter of compliance with the construction safety and health standards and to carry out the duties of the Secretary under Section 107 of the Contract Work Hours and Safety Standards Act (40 U.S.C.3704).

## VIII. FALSE STATEMENTS CONCERNING HIGHWAY PROJECTS

This provision is applicable to all Federal-aid construction contracts and to all related subcontracts.

In order to assure high quality and durable construction in conformity with approved plans and specifications and a high degree of reliability on statements and representations made by engineers, contractors, suppliers, and workers on Federal-aid highway projects, it is essential that all persons concerned with the project perform their functions as carefully, thoroughly, and honestly as possible. Willful falsification, distortion, or misrepresentation with respect to any facts related to the project is a violation of Federal law. To prevent any misunderstanding regarding the seriousness of these and similar acts, Form FHWA-1022 shall be posted on each Federal-aid highway project (23 CFR 635) in one or more places where it is readily available to all persons concerned with the project:

18 U.S.C. 1020 reads as follows:

"Whoever, being an officer, agent, or employee of the United States, or of any State or Territory, or whoever, whether a person, association, firm, or corporation, knowingly makes any false statement, false representation, or false report as to the character, quality, quantity, or cost of the material used or to be used, or the quantity or quality of the work performed or to be performed, or the cost thereof in connection with the submission of plans, maps, specifications, contracts, or costs of construction on any highway or related project submitted for approval to the Secretary of Transportation; or

Whoever knowingly makes any false statement, false representation, false report or false claim with respect to the character, quality, quantity, or cost of any work performed or to be performed, or materials furnished or to be furnished, in connection with the construction of any highway or related project approved by the Secretary of Transportation; or

Whoever knowingly makes any false statement or false representation as to material fact in any statement, certificate, or report submitted pursuant to provisions of the Federal-aid Roads Act approved July 1, 1916, (39 Stat. 355), as amended and supplemented;

Shall be fined under this title or imprisoned not more than 5 years or both."

#### **IX. IMPLEMENTATION OF CLEAN AIR ACT AND FEDERAL WATER POLLUTION CONTROL ACT**

This provision is applicable to all Federal-aid construction contracts and to all related subcontracts.

By submission of this bid/proposal or the execution of this contract, or subcontract, as appropriate, the bidder, proposer, Federal-aid construction contractor, or subcontractor, as appropriate, will be deemed to have stipulated as follows:

1. That any person who is or will be utilized in the performance of this contract is not prohibited from receiving an award due to a violation of Section 508 of the Clean Water Act or Section 306 of the Clean Air Act.
2. That the contractor agrees to include or cause to be included the requirements of paragraph (1) of this Section X in every subcontract, and further agrees to take such action as the contracting agency may direct as a means of enforcing such requirements.

#### **X. CERTIFICATION REGARDING DEBARMENT, SUSPENSION, INELIGIBILITY AND VOLUNTARY EXCLUSION**

This provision is applicable to all Federal-aid construction contracts, design-build contracts, subcontracts, lower-tier subcontracts, purchase orders, lease agreements, consultant contracts or any other covered transaction requiring FHWA approval or that is estimated to cost \$25,000 or more – as defined in 2 CFR Parts 180 and 1200.

##### **1. Instructions for Certification – First Tier Participants:**

- a. By signing and submitting this proposal, the prospective first tier participant is providing the certification set out below.
- b. The inability of a person to provide the certification set out below will not necessarily result in denial of participation in this

covered transaction. The prospective first tier participant shall submit an explanation of why it cannot provide the certification set out below. The certification or explanation will be considered in connection with the department or agency's determination whether to enter into this transaction. However, failure of the prospective first tier participant to furnish a certification or an explanation shall disqualify such a person from participation in this transaction.

c. The certification in this clause is a material representation of fact upon which reliance was placed when the contracting agency determined to enter into this transaction. If it is later determined that the prospective participant knowingly rendered an erroneous certification, in addition to other remedies available to the Federal Government, the contracting agency may terminate this transaction for cause of default.

d. The prospective first tier participant shall provide immediate written notice to the contracting agency to whom this proposal is submitted if any time the prospective first tier participant learns that its certification was erroneous when submitted or has become erroneous by reason of changed circumstances.

e. The terms "covered transaction," "debarred," "suspended," "ineligible," "participant," "person," "principal," and "voluntarily excluded," as used in this clause, are defined in 2 CFR Parts 180 and 1200. "First Tier Covered Transactions" refers to any covered transaction between a grantee or subgrantee of Federal funds and a participant (such as the prime or general contract). "Lower Tier Covered Transactions" refers to any covered transaction under a First Tier Covered Transaction (such as subcontracts). "First Tier Participant" refers to the participant who has entered into a covered transaction with a grantee or subgrantee of Federal funds (such as the prime or general contractor). "Lower Tier Participant" refers any participant who has entered into a covered transaction with a First Tier Participant or other Lower Tier Participants (such as subcontractors and suppliers).

f. The prospective first tier participant agrees by submitting this proposal that, should the proposed covered transaction be entered into, it shall not knowingly enter into any lower tier covered transaction with a person who is debarred, suspended, declared ineligible, or voluntarily excluded from participation in this covered transaction, unless authorized by the department or agency entering into this transaction.

g. The prospective first tier participant further agrees by submitting this proposal that it will include the clause titled "Certification Regarding Debarment, Suspension, Ineligibility and Voluntary Exclusion-Lower Tier Covered Transactions," provided by the department or contracting agency, entering into this covered transaction, without modification, in all lower tier covered transactions and in all solicitations for lower tier covered transactions exceeding the \$25,000 threshold.

h. A participant in a covered transaction may rely upon a certification of a prospective participant in a lower tier covered transaction that is not debarred, suspended, ineligible, or voluntarily excluded from the covered transaction, unless it knows that the certification is erroneous. A participant is responsible for ensuring that its principals are not suspended, debarred, or otherwise ineligible to participate in covered transactions. To verify the eligibility of its principals, as well as the eligibility of any lower tier prospective participants, each participant may, but is not required to, check the Excluded Parties List System website (<https://www.epls.gov/>), which is compiled by the General Services Administration.

i. Nothing contained in the foregoing shall be construed to require the establishment of a system of records in order to render in good faith the certification required by this clause. The knowledge and information of the prospective participant is not required to exceed that which is normally possessed by a prudent person in the ordinary course of business dealings.

j. Except for transactions authorized under paragraph (f) of these instructions, if a participant in a covered transaction knowingly enters into a lower tier covered transaction with a person who is suspended, debarred, ineligible, or voluntarily excluded from participation in this transaction, in addition to other remedies available to the Federal Government, the department or agency may terminate this transaction for cause or default.

\*\*\*\*\*

## **2. Certification Regarding Debarment, Suspension, Ineligibility and Voluntary Exclusion – First Tier Participants:**

a. The prospective first tier participant certifies to the best of its knowledge and belief, that it and its principals:

(1) Are not presently debarred, suspended, proposed for debarment, declared ineligible, or voluntarily excluded from participating in covered transactions by any Federal department or agency;

(2) Have not within a three-year period preceding this proposal been convicted of or had a civil judgment rendered against them for commission of fraud or a criminal offense in connection with obtaining, attempting to obtain, or performing a public (Federal, State or local) transaction or contract under a public transaction; violation of Federal or State antitrust statutes or commission of embezzlement, theft, forgery, bribery, falsification or destruction of records, making false statements, or receiving stolen property;

(3) Are not presently indicted for or otherwise criminally or civilly charged by a governmental entity (Federal, State or local) with commission of any of the offenses enumerated in paragraph (a)(2) of this certification; and

(4) Have not within a three-year period preceding this application/proposal had one or more public transactions (Federal, State or local) terminated for cause or default.

b. Where the prospective participant is unable to certify to any of the statements in this certification, such prospective participant shall attach an explanation to this proposal.

## **2. Instructions for Certification - Lower Tier Participants:**

(Applicable to all subcontracts, purchase orders and other lower tier transactions requiring prior FHWA approval or estimated to cost \$25,000 or more - 2 CFR Parts 180 and 1200)

a. By signing and submitting this proposal, the prospective lower tier is providing the certification set out below.

b. The certification in this clause is a material representation of fact upon which reliance was placed when this transaction was entered into. If it is later determined that the prospective lower tier participant knowingly rendered an erroneous certification, in addition to other remedies available to the Federal Government, the department, or agency with which

this transaction originated may pursue available remedies, including suspension and/or debarment.

c. The prospective lower tier participant shall provide immediate written notice to the person to which this proposal is submitted if at any time the prospective lower tier participant learns that its certification was erroneous by reason of changed circumstances.

d. The terms "covered transaction," "debarred," "suspended," "ineligible," "participant," "person," "principal," and "voluntarily excluded," as used in this clause, are defined in 2 CFR Parts 180 and 1200. You may contact the person to which this proposal is submitted for assistance in obtaining a copy of those regulations. "First Tier Covered Transactions" refers to any covered transaction between a grantee or subgrantee of Federal funds and a participant (such as the prime or general contract). "Lower Tier Covered Transactions" refers to any covered transaction under a First Tier Covered Transaction (such as subcontracts). "First Tier Participant" refers to the participant who has entered into a covered transaction with a grantee or subgrantee of Federal funds (such as the prime or general contractor). "Lower Tier Participant" refers any participant who has entered into a covered transaction with a First Tier Participant or other Lower Tier Participants (such as subcontractors and suppliers).

e. The prospective lower tier participant agrees by submitting this proposal that, should the proposed covered transaction be entered into, it shall not knowingly enter into any lower tier covered transaction with a person who is debarred, suspended, declared ineligible, or voluntarily excluded from participation in this covered transaction, unless authorized by the department or agency with which this transaction originated.

f. The prospective lower tier participant further agrees by submitting this proposal that it will include this clause titled "Certification Regarding Debarment, Suspension, Ineligibility and Voluntary Exclusion-Lower Tier Covered Transaction," without modification, in all lower tier covered transactions and in all solicitations for lower tier covered transactions exceeding the \$25,000 threshold.

g. A participant in a covered transaction may rely upon a certification of a prospective participant in a lower tier covered transaction that is not debarred, suspended, ineligible, or voluntarily excluded from the covered transaction, unless it knows that the certification is erroneous. A participant is responsible for ensuring that its principals are not suspended, debarred, or otherwise ineligible to participate in covered transactions. To verify the eligibility of its principals, as well as the eligibility of any lower tier prospective participants, each participant may, but is not required to, check the Excluded Parties List System website (<https://www.epls.gov/>), which is compiled by the General Services Administration.

h. Nothing contained in the foregoing shall be construed to require establishment of a system of records in order to render in good faith the certification required by this clause. The knowledge and information of participant is not required to exceed that which is normally possessed by a prudent person in the ordinary course of business dealings.

i. Except for transactions authorized under paragraph e of these instructions, if a participant in a covered transaction knowingly enters into a lower tier covered transaction with a person who is suspended, debarred, ineligible, or voluntarily excluded from participation in this transaction, in addition to other remedies available to the Federal Government, the

department or agency with which this transaction originated may pursue available remedies, including suspension and/or debarment.

\*\*\*\*\*

**Certification Regarding Debarment, Suspension, Ineligibility and Voluntary Exclusion--Lower Tier Participants:**

1. The prospective lower tier participant certifies, by submission of this proposal, that neither it nor its principals is presently debarred, suspended, proposed for debarment, declared ineligible, or voluntarily excluded from participating in covered transactions by any Federal department or agency.

2. Where the prospective lower tier participant is unable to certify to any of the statements in this certification, such prospective participant shall attach an explanation to this proposal.

\*\*\*\*\*

**XI. CERTIFICATION REGARDING USE OF CONTRACT FUNDS FOR LOBBYING**

This provision is applicable to all Federal-aid construction contracts and to all related subcontracts which exceed \$100,000 (49 CFR 20).

1. The prospective participant certifies, by signing and submitting this bid or proposal, to the best of his or her knowledge and belief, that:

a. No Federal appropriated funds have been paid or will be paid, by or on behalf of the undersigned, to any person for influencing or attempting to influence an officer or employee of any Federal agency, a Member of Congress, an officer or employee of Congress, or an employee of a Member of Congress in connection with the awarding of any Federal contract, the making of any Federal grant, the making of any Federal loan, the entering into of any cooperative agreement, and the extension, continuation, renewal, amendment, or modification of any Federal contract, grant, loan, or cooperative agreement.

b. If any funds other than Federal appropriated funds have been paid or will be paid to any person for influencing or attempting to influence an officer or employee of any Federal agency, a Member of Congress, an officer or employee of Congress, or an employee of a Member of Congress in connection with this Federal contract, grant, loan, or cooperative agreement, the undersigned shall complete and submit Standard Form-LLL, "Disclosure Form to Report Lobbying," in accordance with its instructions.

2. This certification is a material representation of fact upon which reliance was placed when this transaction was made or entered into. Submission of this certification is a prerequisite for making or entering into this transaction imposed by 31 U.S.C. 1352. Any person who fails to file the required certification shall be subject to a civil penalty of not less than \$10,000 and not more than \$100,000 for each such failure.

3. The prospective participant also agrees by submitting its bid or proposal that the participant shall require that the language of this certification be included in all lower tier subcontracts, which exceed \$100,000 and that all such recipients shall certify and disclose accordingly.

**PREDETERMINED WAGE RATE**

**IA15 - 1.1b**

General Decision Number: IA150001 11/20/2015 IA1

Superseded General Decision Number: IA20140001

State: Iowa

Construction Types: Heavy and Highway

Counties: Adair, Adams, Allamakee, Appanoose, Audubon, Benton, Black Hawk, Boone, Bremer, Buchanan, Buena Vista, Butler, Calhoun, Carroll, Cass, Cedar, Cerro Gordo, Cherokee, Chickasaw, Clarke, Clay, Clayton, Clinton, Crawford, Dallas, Davis, Decatur, Delaware, Des Moines, Dickinson, Dubuque, Emmet, Fayette, Floyd, Franklin, Fremont, Greene, Grundy, Guthrie, Hamilton, Hancock, Hardin, Harrison, Henry, Howard, Humboldt, Ida, Iowa, Jackson, Jasper, Jefferson, Johnson, Jones, Keokuk, Kossuth, Lee, Linn, Louisa, Lucas, Lyon, Madison, Mahaska, Marion, Marshall, Mills, Mitchell, Monona, Monroe, Montgomery, Muscatine, O'Brien, Osceola, Page, Palo Alto, Plymouth, Pocahontas, Polk, Pottawattamie, Poweshiek, Ringgold, Sac, Shelby, Sioux, Story, Tama, Taylor, Union, Van Buren, Wapello, Warren, Washington, Wayne, Webster, Winnebago, Winneshiek, Woodbury, Worth and Wright Counties in Iowa.

**STATEWIDE EXCEPT SCOTT COUNTY HEAVY CONSTRUCTION PROJECTS**

(Does not include work on or pertaining to the Mississippi or Missouri Rivers or on Water and Sewage Treatment Plants), AND HIGHWAY PROJECTS (does not include building structures in rest areas)

Note: Executive Order (EO) 13658 establishes an hourly minimum wage of \$10.10 for 2015 that applies to all contracts subject to the Davis-Bacon Act for which the solicitation is issued on or after January 1, 2015. If this contract is covered by the EO, the contractor must pay all workers in any classification listed on this wage determination at least \$10.10 (or the applicable wage rate listed on this wage determination, if it is higher) for all hours spent performing on the contract. The EO minimum wage rate will be adjusted annually. Additional information on contractor requirements and worker protections under the EO is available at [www.dol.gov/whd/govcontracts](http://www.dol.gov/whd/govcontracts).

Modification Number	Publication Date
0	01/02/2015
1	11/20/2015

\*SUIA2002-003 02/28/2012

CARPENTERS AND PILEDRIVERMEN:	Rates	Fringes
ZONE 1	25.92	10.28
ZONE 2	23.83	10.28
ZONE 3	23.83	10.28
ZONE 4	23.15	8.35
ZONE 5**	22.25	6.95

**PREDETERMINED WAGE RATE**

**IA15 - 1.1b**

**CONCRETE FINISHER:**

ZONE 1	23.50	7.10
ZONE 2	23.50	7.10
ZONE 3	23.50	7.10
ZONE 4	21.30	5.55
ZONE 5	19.70	6.10

**ELECTRICIANS: (STREET AND HIGHWAY LIGHTING AND TRAFFIC SIGNALS)**

ZONE 1, ZONE 2, AND ZONE 3	22.05	5.70
ZONE 4	20.75	5.70
ZONE 5	18.50	5.70

**IRONWORKERS: (SETTING OF STRUCTURAL STEEL)**

ZONE 1	27.80	7.45
ZONE 2	26.31	7.45
ZONE 3	26.01	7.75
ZONE 4	23.25	6.60
ZONE 5**	22.50	6.10

**LABORERS:**

	<b>Rates</b>	<b>Fringes</b>
ZONE 1, ZONE 2, AND ZONE 3		
GROUP A	21.06	8.20
GROUP AA	22.71	8.20
GROUP B	19.18	8.20
GROUP C	15.95	8.20
ZONE 4		
GROUP A	18.55	7.65
GROUP B	17.23	7.65
GROUP C	14.35	7.65
ZONE 5		
GROUP A	19.00	6.00
GROUP B	16.50	6.00
GROUP C	15.65	6.00

**POWER EQUIPMENT OPERATORS:**

ZONE 1		
GROUP A	28.70	13.00
GROUP B	27.15	13.00
GROUP C	24.65	13.00
GROUP D	24.65	13.00
ZONE 2		
GROUP A	28.00	13.00
GROUP B	26.40	13.00
GROUP C	23.85	13.00
GROUP D	23.85	13.00

**PREDETERMINED WAGE RATE**

**IA15 - 1.1b**

**ZONE 3**

GROUP A	26.70	18.55
GROUP B	24.90	18.55
GROUP C	23.90	18.55
GROUP D	23.90	18.55

**ZONE 4**

GROUP A	27.65	8.65
GROUP B	26.51	8.65
GROUP C	24.43	8.65
GROUP D	24.43	8.65

**ZONE 5**

GROUP A	23.97	6.90
GROUP B	22.93	6.90
GROUP C	21.20	6.90
GROUP D	20.20	6.90

**TRUCK DRIVER (AND PAVEMENT MARKING DRIVER/SWITCHPERSON)**

ZONE 1	20.75	10.15
ZONE 2	20.75	10.15
ZONE 3	20.75	10.15
ZONE 4	20.95	5.75
ZONE 5	19.00	5.75

**ZONE DEFINITIONS**

- ZONE 1     The Counties of Polk, Warren and Dallas for all Crafts, and Linn County Carpenters only.
- ZONE 2     The Counties of Dubuque for all Crafts and Linn County for all Crafts except Carpenters.
- ZONE 3     The Cities of Burlington, Clinton, Fort Madison, Keokuk, and Muscatine (and abutting municipalities of any such cities).
- ZONE 4     Story, Black Hawk, Cedar, Jasper, Jones, Jackson, Louisa, Madison, and Marion Counties; Clinton County (except the City of Clinton), Johnson County, Muscatine County (except the City of Muscatine), the City of Council Bluffs, Lee County and Des Moines County.
- ZONE 5     All areas of the state not listed above.

**LABORER CLASSIFICATIONS - ALL ZONES**

GROUP AA – Asbestos abatement worker (Zones 1, 2, and 3); Skilled pipelayer (sewer, water and conduits) and tunnel laborers (Zones 1, 2 and 3).

GROUP A – Asbestos abatement worker (Zones 4 and 5); Carpenter tender on bridges and box culverts; curb machine (without a seat); deck hand; diamond & core drills; drill operator on air tracs, wagon drills and similar drills; form setter/stringman on paving work; gunnite nozzleman;

## **PREDETERMINED WAGE RATE**

**IA15 - 1.1b**

joint sealer kettleman; laser operator; powderman tender; powderman/blaster; saw operator; pipelayer (sewer, water, and conduits) ; tunnel laborer; asbestos abatement worker (Zones 4 and 5).

GROUP B - Air, gas, electric tool operator; barco hammer; carpenter tender; caulker; chain sawman; compressor (under 400 cfm); concrete finisher tender; concrete processing materials and monitors; cutting torch on demolition; drill tender; dumpmen; electric drills; fence erectors; form line expansion joint assembler; form tamper; general laborer; grade checker; handling and placing metal mesh, dowel bars, reinforcing bars and chairs; hot asphalt laborer; installing temporary traffic control devices; jackhammerman; mechanical grouter; painter (all except strippers); paving breaker; planting trees, shrubs and flowers; power broom (not self-propelled); power buggyman; rakers; rodman (tying reinforcing steel); sandblaster; seeding and mulching; sewer utility topman/bottom man; spaders; stressor or stretcherman on pre or post tensioned concrete; stringman on re/surfacing/no grade control; swinging stage, tagline, or block and tackle; tampers; timberman; tool room men and checkers; tree climber; tree groundman; underpinning and shoring caissons over twelve feet deep; vibrators; walk behind trencher; walk behind paint strippers; walk behind vibrating compactor; water pumps (under three inch); work from bosun chair.

GROUP C - Scale weigh person; traffic control/flagger, surveillance or monitor; water carrier.

### **POWER EQUIPMENT OPERATOR CLASSIFICATIONS - ALL ZONES**

GROUP A - All terrain (off road) forklift, asphalt breakdown roller (vibratory); asphalt laydown machine; asphalt plant; asphalt screed; bulldozer (finish); central mix plant; concrete pump; crane; crawler tractor pulling scraper; directional drill (60,000 (lbs) pullback and above); dragline and power shovel; dredge engineer; excavator (over ½ cu. yd.); front end loader (4 cy and over); horizontal boring machine; master mechanic; milling machine (over 350 hp); motor grader (finish); push cat; rubber tired backhoe (over ½ cu. yd.); scraper (12 cu. yd. and over or finish); Self-propelled rotary mixer/road reclaimer; sidebroom tractor; slipform portland concrete paver; tow or push boat; trenching machine (Cleveland 80 or similar).

GROUP B - Articulated off road hauler, asphalt heater/planer; asphalt material transfer vehicle; asphalt roller; belt loader or similar loader; bulldozer (rough); churn or rotary drill; concrete curb machine; crawler tractor pulling ripper, disk or roller; deck hand/oiler; directional drill (less than 60,000 (lbs) pullback); distributor; excavator (1/2 cu. yd. and under); form riding concrete paver; front end loader (2 to less than 4 cu. yd.); group equipment greaser; mechanic; milling machine (350 hp. and less); paving breaker; portland concrete dry batch plant; rubber tired backhoe (1/2 cu. yd. and under); scraper (under 12 cu. yd.); screening, washing and crushing plant (mobile, portable or stationary); shoulder machine; skid loader (1 cu. yd. and over); subgrader or trimmer; trenching machine; water wagon on compaction.

GROUP C - Boom & winch truck; concrete spreader/belt placer; deep wells for dewatering; farm type tractor (over 75 hp.) pulling disc or roller; forklift; front end loader (under 2 cu. yd.); motor grader (rough); pile hammer power unit; pump (greater than three inch diameter); pumps on well points; safety boat; self-propelled roller (other than asphalt); self-propelled sand blaster or shot blaster, water blaster or striping grinder/remover; skid loader (under 1 cu. yd.); truck mounted post driver.

**PREDETERMINED WAGE RATE**

**IA15 - 1.1b**

GROUP D - Boiler; compressor; cure and texture machine; dow box; farm type or utility tractor (under 75 hp.) pulling disk, roller or other attachments; group greaser tender; light plants; mechanic tender; mechanical broom; mechanical heaters; oiler; pumps (under three inch diameter); tree chipping machine; truck crane driver/oiler.

**\*\*CARPENTERS AND PILEDRIVERMEN, or IRONWORKERS (ZONE 5)**

Setting of structural steel; any welding incidental to bridge or culvert construction; setting concrete beams.

-----  
WELDERS: Receive rate prescribed for craft performing operation to which welding is incidental.  
-----

-----  
Unlisted classifications needed for work not included within the scope of the classifications listed may be added after award only as provided in the labor standards contract clauses (29 CFR 5.5 (a) (1) (ii)).  
-----

The body of each wage determination lists the classification and wage rates that have been found to be prevailing for the cited type(s) of construction in the area covered by the wage determination. The classifications are listed in alphabetical order of "identifiers" that indicate whether the particular rate is a union rate (current union negotiated rate for local), a survey rate (weighted average rate) or a union average rate (weighted union average rate).

**Union Rate Identifiers**

A four letter classification abbreviation identifier enclosed in dotted lines beginning with characters other than "SU" or "UAVG" denotes that the union classification and rate were prevailing for that classification in the survey. Example: PLUM0198-005 07/01/2014. PLUM is an abbreviation identifier of the union which prevailed in the survey for this classification, which in this example would be Plumbers. 0198 indicates the local union number or district council number where applicable, i.e., Plumbers Local 0198. The next number, 005 in the example, is an internal number used in processing the wage determination. 07/01/2014 is the effective date of the most current negotiated rate, which in this example is July 1, 2014.

Union prevailing wage rates are updated to reflect all rate changes in the collective bargaining agreement (CBA) governing this classification and rate.

**Survey Rate Identifiers**

Classifications listed under the "SU" identifier indicate that no one rate prevailed for this classification in the survey and the published rate is derived by computing a weighted average rate based on all the rates reported in the survey for that classification. As this weighted average rate includes all rates reported in the survey, it may include both union and non-union rates. Example: SULA2012-007 5/13/2014. SU indicates the rates are survey rates based on a weighted average calculation of rates and are not majority rates. LA indicates the State of Louisiana. 2012 is the year of survey on which these classifications and rates are based. The next number, 007 in

## **PREDETERMINED WAGE RATE**

**IA15 - 1.1b**

the example, is an internal number used in producing the wage determination. 5/13/2014 indicates the survey completion date for the classifications and rates under that identifier.

Survey wage rates are not updated and remain in effect until a new survey is conducted.

### **Union Average Rate Identifiers**

Classification(s) listed under the UAVG identifier indicate that no single majority rate prevailed for those classifications; however, 100% of the data reported for the classifications was union data. **EXAMPLE:** UAVG-OH-0010 08/29/2014. UAVG indicates that the rate is a weighted union average rate. OH indicates the state. The next number, 0010 in the example, is an internal number used in producing the wage determination. 08/29/2014 indicates the survey completion date for the classifications and rates under that identifier.

A UAVG rate will be updated once a year, usually in January of each year, to reflect a weighted average of the current negotiated/CBA rate of the union locals from which the rate is based.

---

## **WAGE DETERMINATION APPEALS PROCESS**

1.) Has there been an initial decision in the matter? This can be:

- \* an existing published wage determination
- \* a survey underlying a wage determination
- \* a Wage and Hour Division letter setting forth a position on a wage determination matter
- \* a conformance (additional classification and rate) ruling

On survey related matters, initial contact, including requests for summaries of surveys, should be with the Wage and Hour Regional Office for the area in which the survey was conducted because those Regional Offices have responsibility for the Davis-Bacon survey program. If the response from this initial contact is not satisfactory, then the process described in 2.) and 3.) should be followed.

With regard to any other matter not yet ripe for the formal process described here, initial contact should be with the Branch of Construction Wage Determinations. Write to:

Branch of Construction Wage Determinations  
Wage and Hour Division  
U. S. Department of Labor  
200 Constitution Avenue, N. W.  
Washington, D. C. 20210

2.) If the answer to the question in 1.) is yes, then an interested party (those affected by the action) can request review and reconsideration from the Wage and Hour Administrator (See 29 CFR Part 1.8 and 29 CFR Part 7). Write to:

Wage and Hour Administrator  
U.S. Department of Labor  
200 Constitution Avenue, N. W.  
Washington, D. C. 20210

**PREDETERMINED WAGE RATE**

**IA15 - 1.1b**

The request should be accompanied by a full statement of the interested party's position and by any information (wage payment data, project description, area practice material, etc.) that the requestor considers relevant to the issue.

- 3.) If the decision of the Administrator is not favorable, an interested party may appeal directly to the Administrative Review Board (formerly the Wage Appeals Board). Write to:

Administrative Review Board  
U. S. Department of Labor  
200 Constitution Avenue, N. W.  
Washington, D. C. 20210

- 4.) All decisions by the Administrative Review Board are final.

**END OF GENERAL DECISION**